



disan[®]

Central vacuum systems

**HANDBOOK
DS SUPER COMPACT
DS MODULAR RANGE**



PLANNING • INSTALLATION • TESTING

© Copyright by DISAN S.r.l.

Technical drawings and layout: Disan S.r.l.

Any unauthorized reproduction, even partial, is forbidden.

Photos, drawings and descriptions in this handbook reflect the state of the art at the moment when this catalogue was printed. The company Disan reserves the right to update its production, previous catalogues and handbooks. For further information, please contact "DISAN"s technical office.

Disan acknowledges a 2 years guarantee for parts having manufacturing defects. The guarantee is valid only if the instructions set out in this handbook are fully complied with.

TABLE OF CONTENTS

Planning	4	Making of the piping	21
Basic planning information	4	General instructions	21
Location of inlet valves on the floor plan	4	Laying of the tubing	21
Location of the inlet valves: height	5	Laying and connection of the water vacuum system	22
Location of the central vacuum cleaner	5	Laying of the backup boxes	23
Planning of the tubing	5	Installation of the breather pipe	23
Planning of the water vacuum system	7	Laying of the electric control line	24
Characteristics of the fittings	8	Testing	25
Planning of the breather pipe	8	Location of losses	26
Particular requirements of planning	9	Installation and connection of the inlet valves and of the central vacuum cleaner	27
Planning of the power mains	10	Installation and connection of the inlet valves	27
Calculation of the materials/Cost-estimate	12	Installation and connection of the central vacuum cleaner	28
Definition of the material needed for the tubing	12	Check of the functioning of the by-pass valve on the dust separator	31
Choice of the inlet valves and of the electricity plates	12	By-pass valves adjustment	31
Choice of the cleaning accessories	16	Testing of the inlet valves	32
Approximate calculation of labor for the complete installation of the system	16	Final testing of the system	32
Choice of the central vacuum cleaner	16	Delivery of the finished system to the customer	32
List of optional for mod. DS Super Compact	19	Certification	35
List of optional for mod. Ds Modular range	19		
Technical data of the central units	19		

PLANNING

Basic planning information

Collect all the necessary data for the planning phase

- Type of system (no of simultaneous operators in the whole building and on every floor)
- Special requirements
 - for the piping line
 - for the position of the inlet valves
 - for the position of the central vacuum cleaner
- Voltage and power supply
- Suction of liquids requested (yes/no)
- Plan of the building (floor and section)

! WARNING !

The central vacuum systems Disan are planned to vacuum the domestic dust both in the domestic and professional sector.

Location of inlet valves on the plan

Planning the inlet valves

Using compasses, draw on the plan (preferably scale 1:100) circles with a radius of 7.5 m, as many as necessary to cover the surface (see example).

Please notice: 7,5 m corresponds to the standard range of action of the hose.

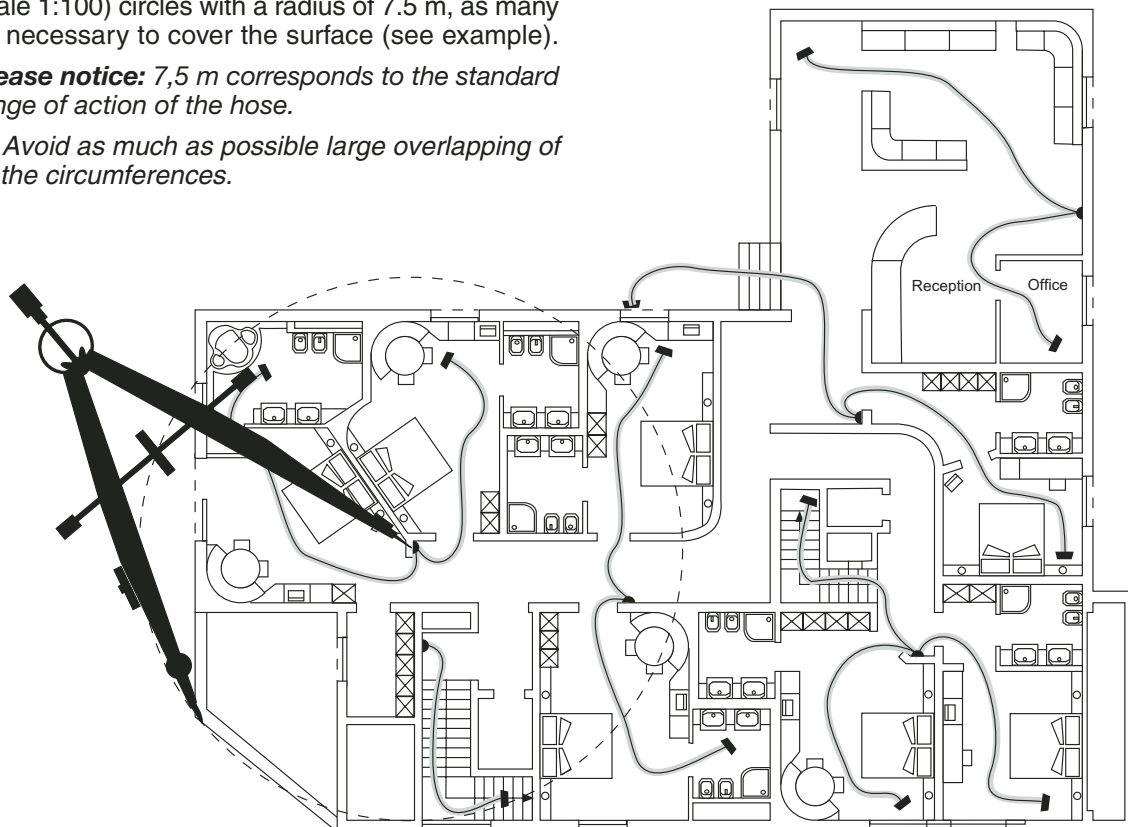
- Avoid as much as possible large overlapping of the circumferences.

- Preferably point the compasses on the internal walls rather than on the perimeter ones in order to reduce the length of the tubes.
- The convenience of the system is due to the limited number of inlet valves positioned in the right places. (We advise against installing one socket in each room).
- Consider all the possible obstacles (such as walls, pieces of furniture etc.) which reduce the range of action of the hose.
- Consider the difficulty of installing inlet valves on bearing walls or pillars.

Please notice:

- We suggest to install a socket just at the bottom of the stairs to permit to clean it from the bottom to the top.
- In the rooms which do not require frequent cleaning, such as the garage, the cellar etc., a 2 m flexible extension can be used (included in the Deluxe kit of accessories) which extends the range of action to 9.5 m.
- We suggest to install a socket in the garage and near balconies or floored entrances.

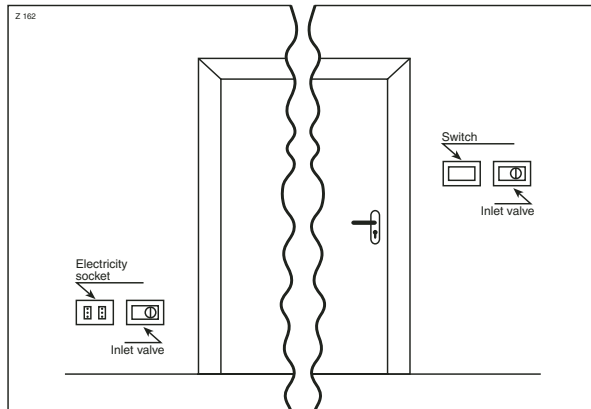
Z 842



Central vacuum systems

Location of the inlet valves: height

Install the inlet valves at the same height of electricity sockets or switches.

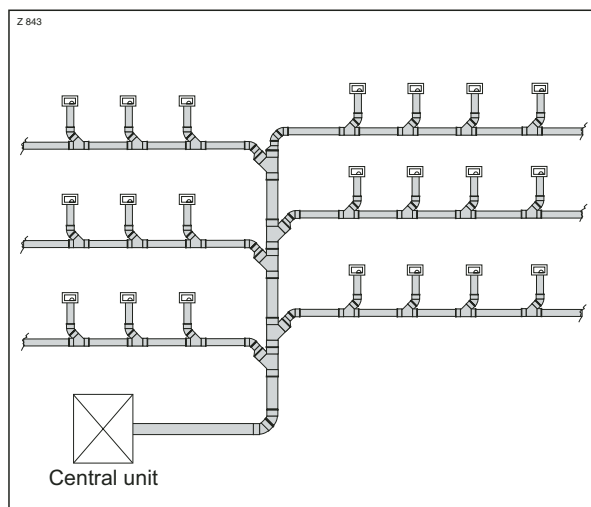


Square inlet valves or rectangular are available and are compatible with the most popular brands on the market.

Location of the central vacuum cleaner

The central vacuum cleaner has to be located into the cellar, the storeroom, the garage or the hobby-room, and in any case you have to guarantee a sufficient air-circulation for its cooling. Consider the acoustic and thermal emissions of the turbine motor.

- The central vacuum cleaner should preferably be located at the lowest point of the tubing, in order to guarantee that even the heaviest vacuumed material is transported through the tubes to the central vacuum cleaner.

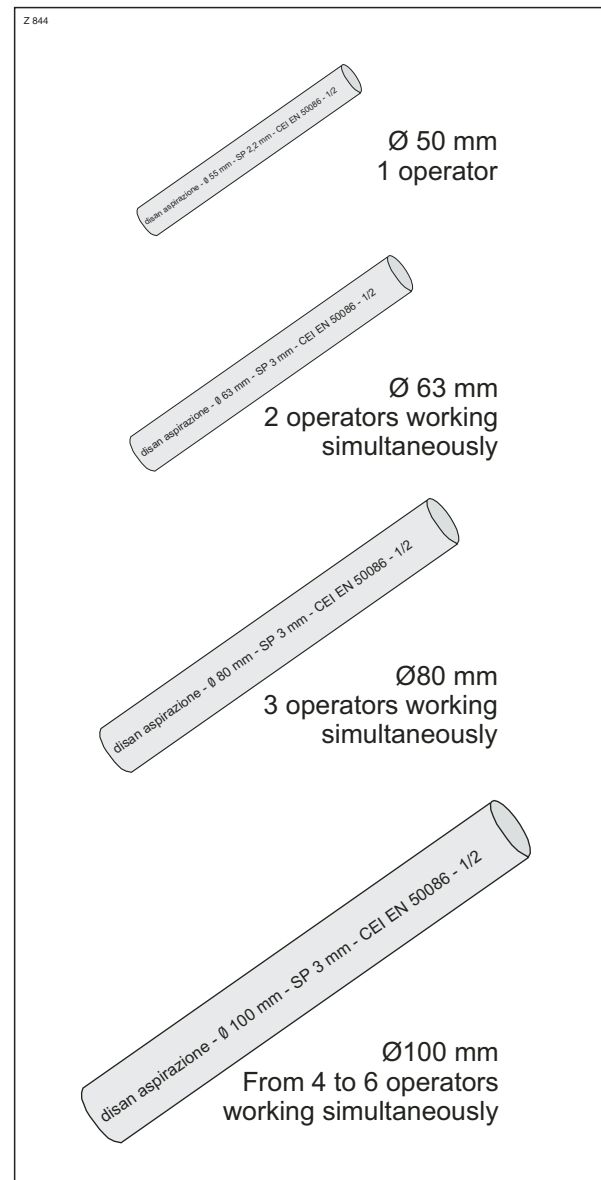


If it is not possible to install the central unit on the lowest point of the tubing, please contact the technical office Disan.

Planning of the tubing

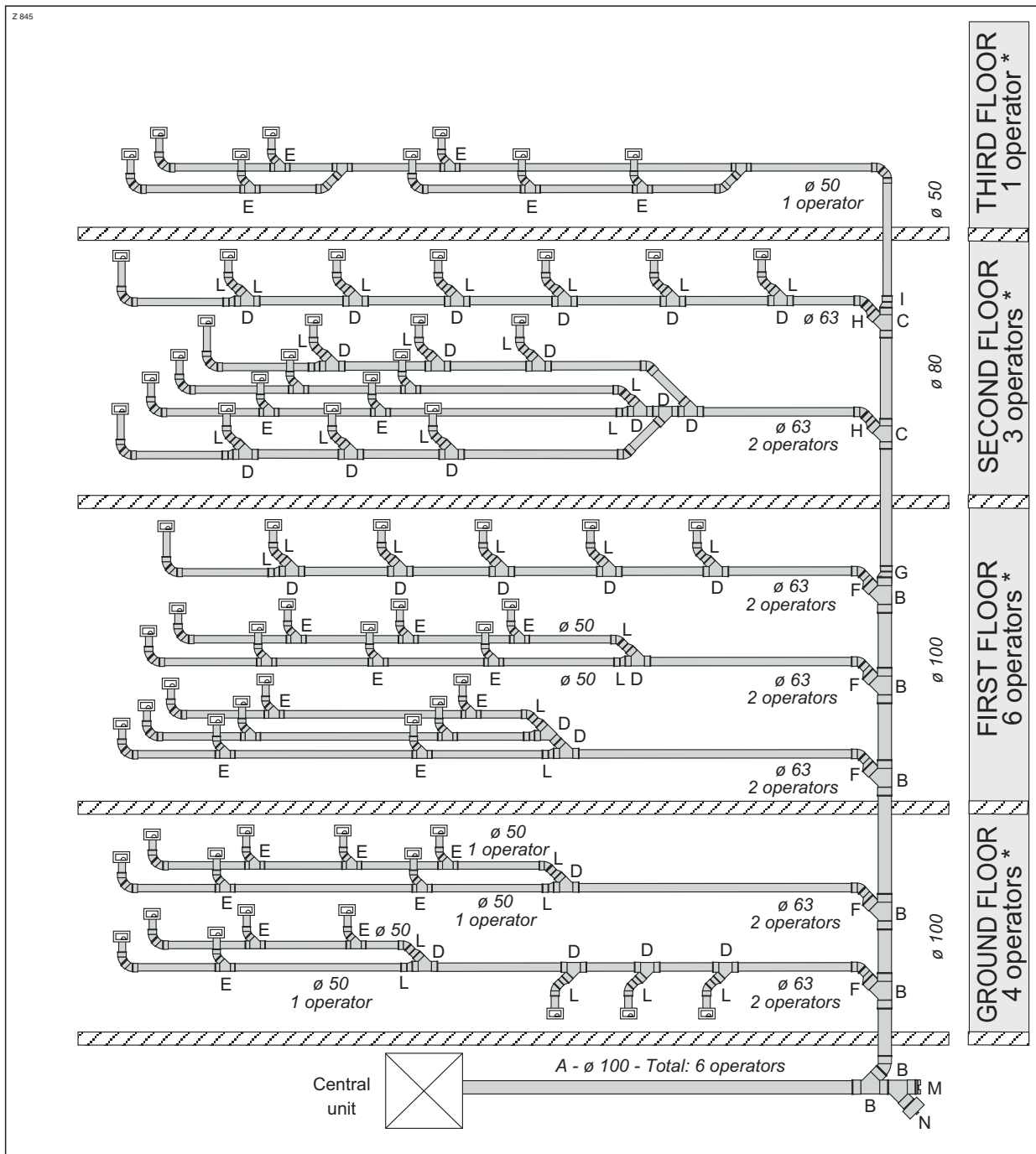
Optimal suction depends on the tubing which should be as short and linear as possible. As a consequence, variations in the route should be avoided as much as possible.

- If possible, the vertical descent should be at a central point of the house.
- The tubing can be fitted under-track, inside the walls or on the false ceiling
- When many simultaneous operators join together, install the reducer as in the drawing on page 6



Central vacuum systems

Scheme of distribution of the pipe line for a system of 6 operators



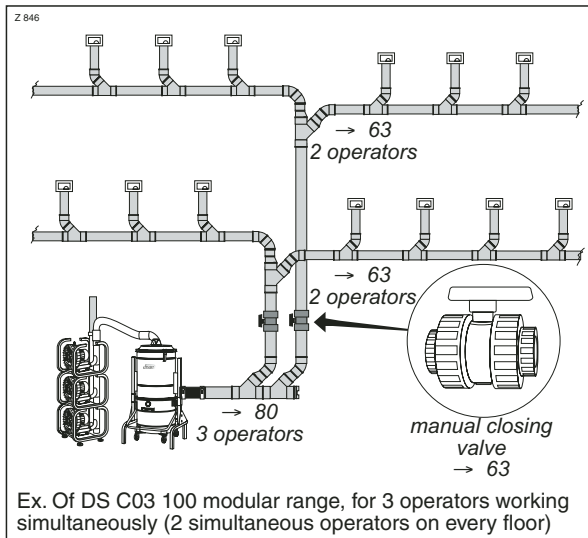
- A = horizontal pipe at the vertical descend $\varnothing 100 - 63 - 6$ operators
- B = sweep TY $\varnothing 100 - 6$ operators
- C = sweep TY $\varnothing 80 - 3$ operators
- D = sweep TY $\varnothing 63 - 2$ operators
- E = sweep TY $\varnothing 50 - 1$ operator
- F = sweep reducer $\varnothing 100/63 -$ from 4/6 to 2 operators
- G = sweep reducer $\varnothing 100/80 -$ from 4/6 to 3 operators
- H = sweep reducer $\varnothing 80/63 -$ from 3 to 2 operators
- I = sweep reducer $\varnothing 80/50 -$ from 3 to 1 operator
- L = sweep reducer $\varnothing 63/50 -$ from 2 to 1 operator
- M = inspection cap $\varnothing 100$
- N = By-pass valve $\varnothing 100$

* the maximal simultaneousness of the floors can not be added

The horizontal pipe line on the floor requests a maximal diameter of 63 mm (2 operators working simultaneously). In the case it is necessary to vacuum on the same floor with more than 2 operators, split the pipe line on the floor into zones.

Central vacuum systems

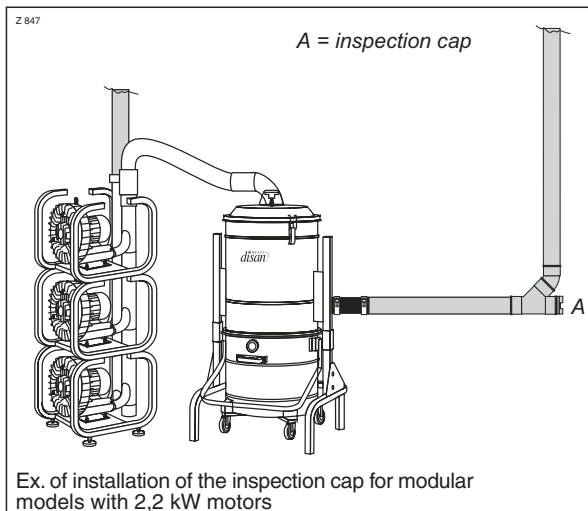
- In the big systems it's advisable to have as many descents as the zones or the building floors and to connect them near the central unit. Install on every descent a sphere valve with manual closing. This allows, in case of assistance on a line, the use of the rest of the system, helping any interventions.



In the case of a single descent the valve with manual closing is not necessary.

- It is not advisable to install long horizontal lines of diameter 80 mm and 100 mm. If on these lines works a smaller number of simultaneous operators than that for which it was planned some clogging are possible.

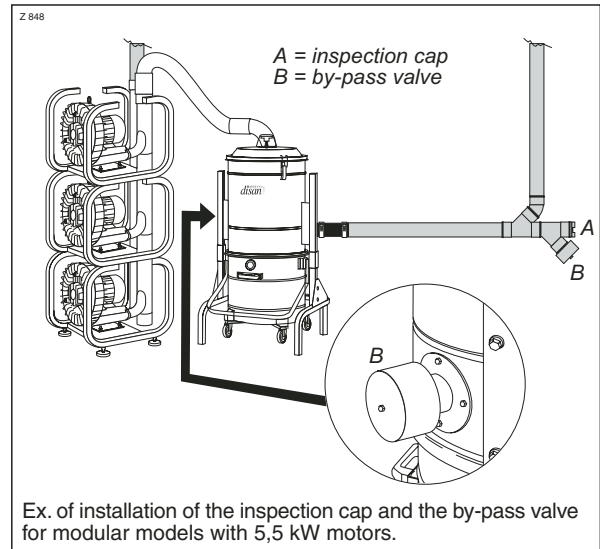
In the cases in which the installation of these diameters is impossible to avoid, plan in the more distant point of the horizontal line a sweep TY in order to be connected to an inspection cap.



In the 5,5 kW models besides the inspection cap install a by-pass valve.

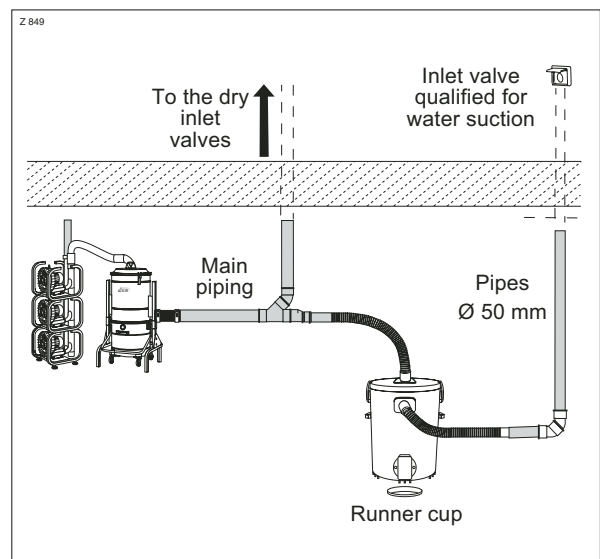
The inspection cap makes easier an eventual assistance intervention.

The by-pass valve allows the cleaning of the piping. In this case the by-pass valve on the dust separator must be closed in order to allow the valve functioning on the line.



Planning of the water vacuum system

The water vacuum is possible thanks to its special accessory "wet pick-up" (code SZN348) to be dragged during the cleaning, or through an autonomous pipe line, which collects the water into a separator (code SZN361) placed near the central unit.



Central vacuum systems

- Plan the inlet valves in the rooms where you intend to vacuum the water. Connect between them the inlet valves with a piping diameter 50 mm, to join to the pipe fittings equipped with the wet pick-up.
- Plan a runner cap with a minimum diameter of 40 cm, to be placed in front of the separator, where the vacuumed water will be carried.
- Connect the wet pick-up to the main pipe line of the system.

Please notice:

- In the rooms where one intends to vacuum both dry and damp, install 2 separate inlet valves
- The water vacuum system can be used only by a person at time

Characteristics of the fittings

In order to obtain maximum suction performances, the tubes have to be installed in an air-tight way.

Clutch fittings are not sufficiently tight in the long run and for this reason we advise against using them.

We strictly advice against:

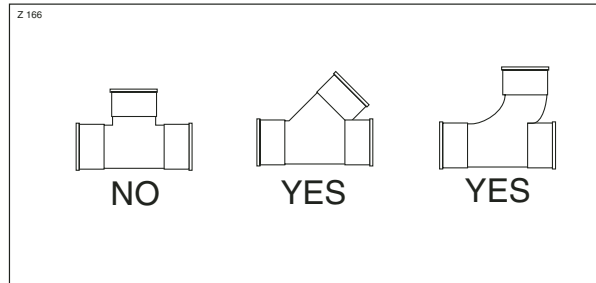
- fittings with rubber gaskets or with O-rings
- spigot-and-socket joint fittings
- hot-welded fittings

Please notice: using the types of fittings listed above causes the following problems:

- depression reductions due to the progressive decrease in tightness of the rubber gaskets or O-rings;
- clogging due to step-like obstacles or burrs inside the tubes;
- speed-reduction of the air-flow due to step-line obstacles or slight defects inside the tubes;
- whistles due to air-infiltrations inside the tubing caused by the progressive decrease in the tightness of the rubber gaskets or O-rings;
- whistles due to steps inside the tubes.

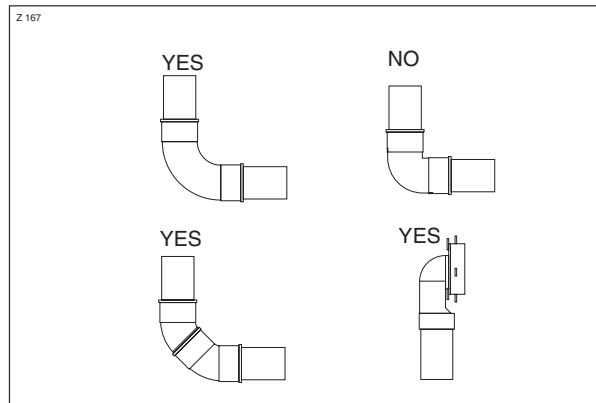
Use only 45° or 90° wide radius sweep.

“T” sweeps slow down the flow and cause clogging.



Use only 45° or 90° wide radius sweep ell.

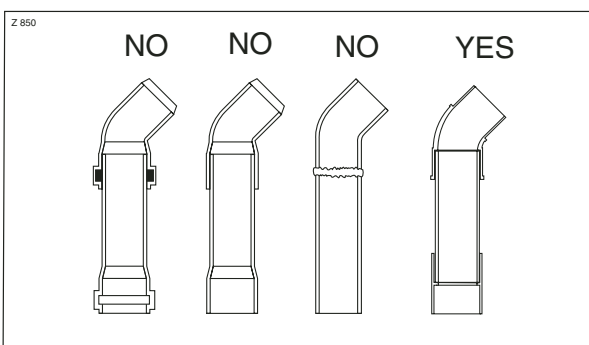
Exception: there is only one 90° (narrow radius) sweep ell: which is positioned behind the backup box.



Please notice: planning the tubes so that the suction flow follows a horizontal or sloping route. Avoid long upwards suction flows.

Planning of the breather pipe

The central vacuum cleaners *Disan* have a correct air filtering, with environmental protection, and so the breather pipe is not strictly necessary. However, for hygienic reasons, we suggest to install it. The breather pipe shall have a larger diameter of the main line of the system.



Central vacuum systems

Diameter of the main line	50	63	80	100
Diameter of the breather pipe for lengths less than 5	63	80	100	100
Diameter of the breather pipe for lengths more than 5	80	100	125	125

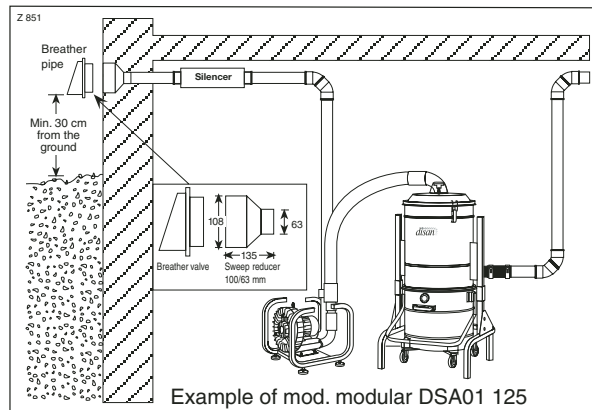
Silencer

All the turbines used in the central vacuum systems *Disan* are silenced with soundproofing materials at the end of the suction and of the delivery, in order to maintain a sound level lower than the levels previewed by the regulations.

The models DS Super Compact are equipped with an additional silencer, mounted on the internal part of the central unit.

Optional silencer are available in order to reduce the noisiness produced by the motors. The silencer must be mounted on the end of the breather pipe (with whichever inclination), in order to allow the absorption of all the noises produced in the piping. The zinc-coated silencer is available in the following models, to be chosen on the basis of the diameter used on the breather pipe.

- Zinc-coated silencer diam. 70/63 mm complete with 2 zinc-coated couplings Code IS10
- Zinc-coated silencer diam. 100 mm complete with 2 zinc-coated couplings Code IS11

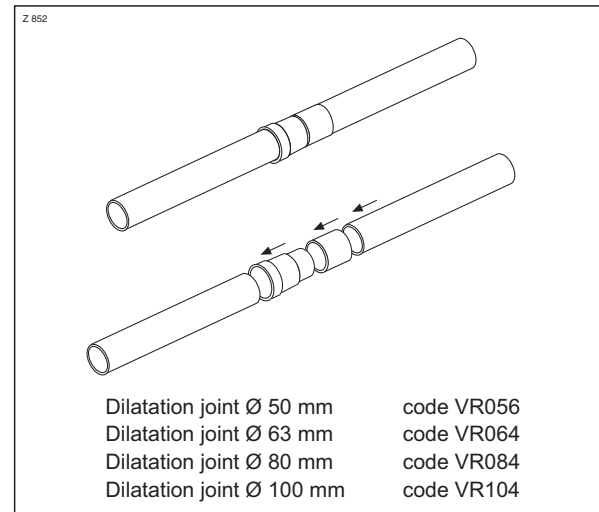


Particular requirements of planning

In the case in which the piping crosses structures where there are dilatation joints or it connects 2 different structures use the following items:

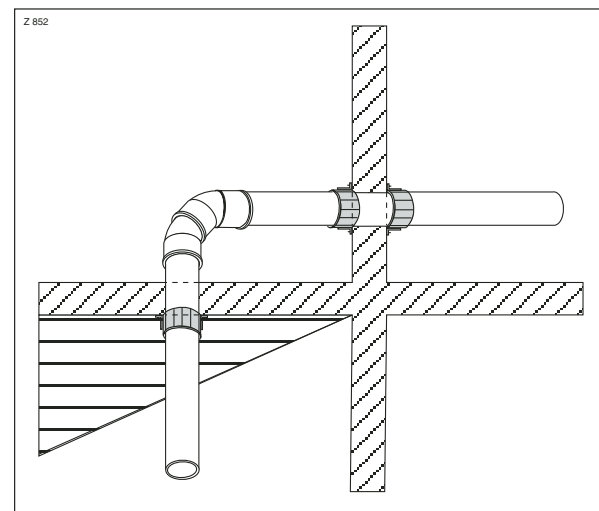
- Dilatation joint in order to give flexibility to the piping
- Covering in thermal insulating material (normally used in the hydraulic field) to avoid condensate problems and to give flexibility to the piping in the case of settlements of the building or of the ground.

If the piping is installed externally to the building and underground, plan a container barrier.



In the case that the pipe line crosses the fire barrier structure, plan the special collars for wall or floor.

- Wall: 2 collars (one for every side)
- Floor: 1 collar on the lower side



! WARNING !

Do not install external piping in contact with sunbeams and atmospheric agents. In these cases we advise to use zinc-coated stainless steel tubes. Contact the technical office *Disan*.

If it is not possible to avoid the installation of external tubes, cover the tube with thermal insulating material (normally used in the hydraulic field).

Central vacuum systems

Planning of the power mains

The power mains used for the control of the inlet sockets is 12 V (safety low-voltage) and permits to start the central vacuum cleaner through a contact on the sockets.

The covering supplied by *Disan* is fireproof according to IMQ standards; it has a 16 mm diameter, while the two internal cables have a 1 mm diameter.

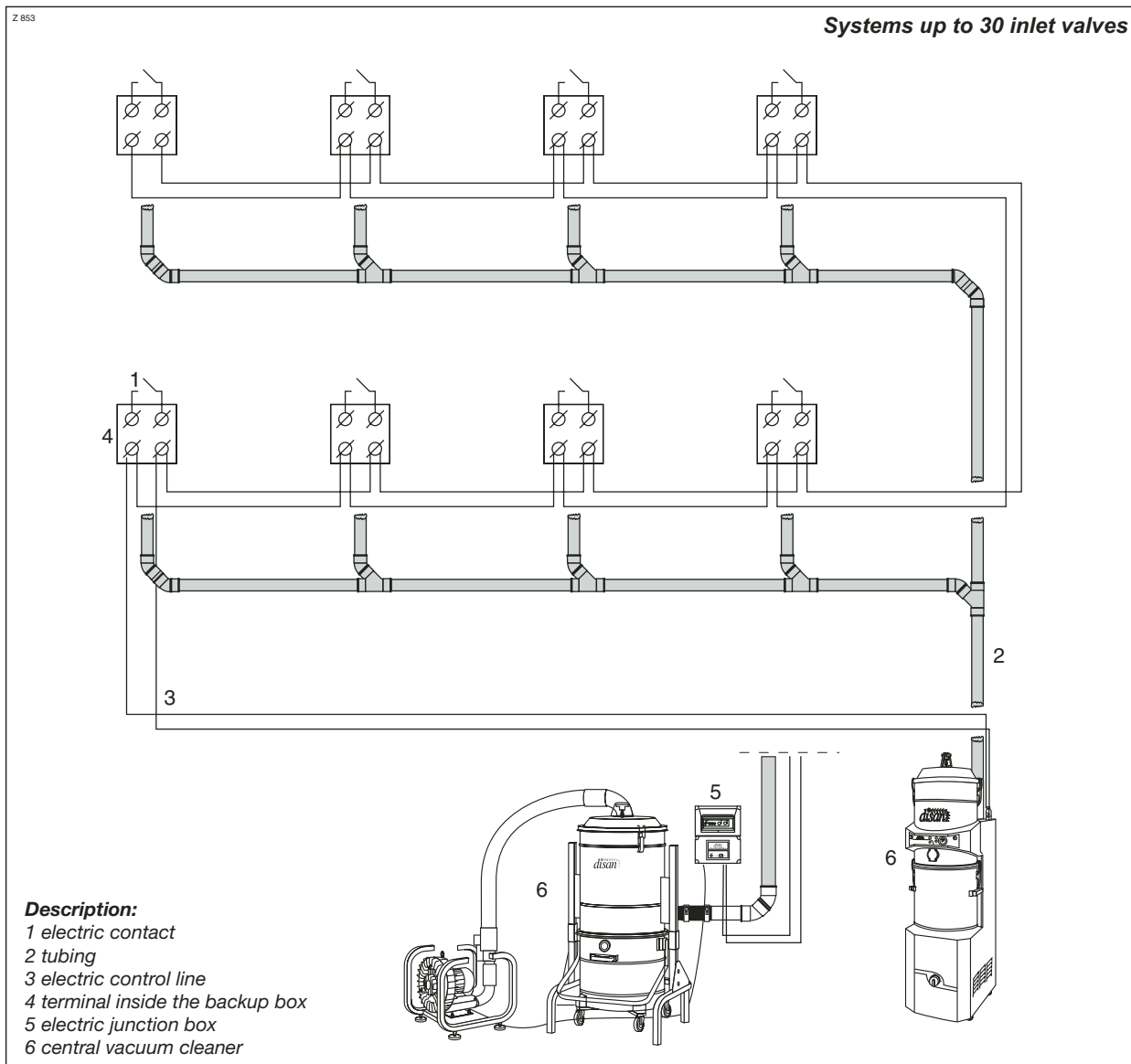
The connections between the inlet valves are in parallel in the backup box with binding-screw.

Systems up to 30 inlet valves

The connection is from inlet valve to inlet valve to the main electric junction box.

Systems with more than 30 inlet valves

We advise to split the system into zones or for floors, connecting them separately to the electric division box for 12V remote control wire. (code IE212) and to the main electric junction box. In this way it will be easier to find out any damage to the line (see drawing n the next page).



Central vacuum systems

Use of the system with sequential starting device

This kind of system allows the sequential starting device of motors requested. It comes a real energy saving.

For the functioning of the sequential starting system, install inlet valves equipped with resistances (IS106) to be welded on the electrical cable at the output of the inlet valve. The connection of the line is always in parallel.

If the resistance is ordered with the inlet valve please add "R" at the end of the code of the valve. Ex: SD310R. For the functioning of the sequential starting device system you need the special electronic control. For the functioning of the system

it is necessary that both the resistances and the electronic control device are mounted.

Code IS02 device for models with 2 motors (Mod. DS B02 and DS D02)

Code IS03 device for models with 3 motors (Mod. DS C03 and DS F03)

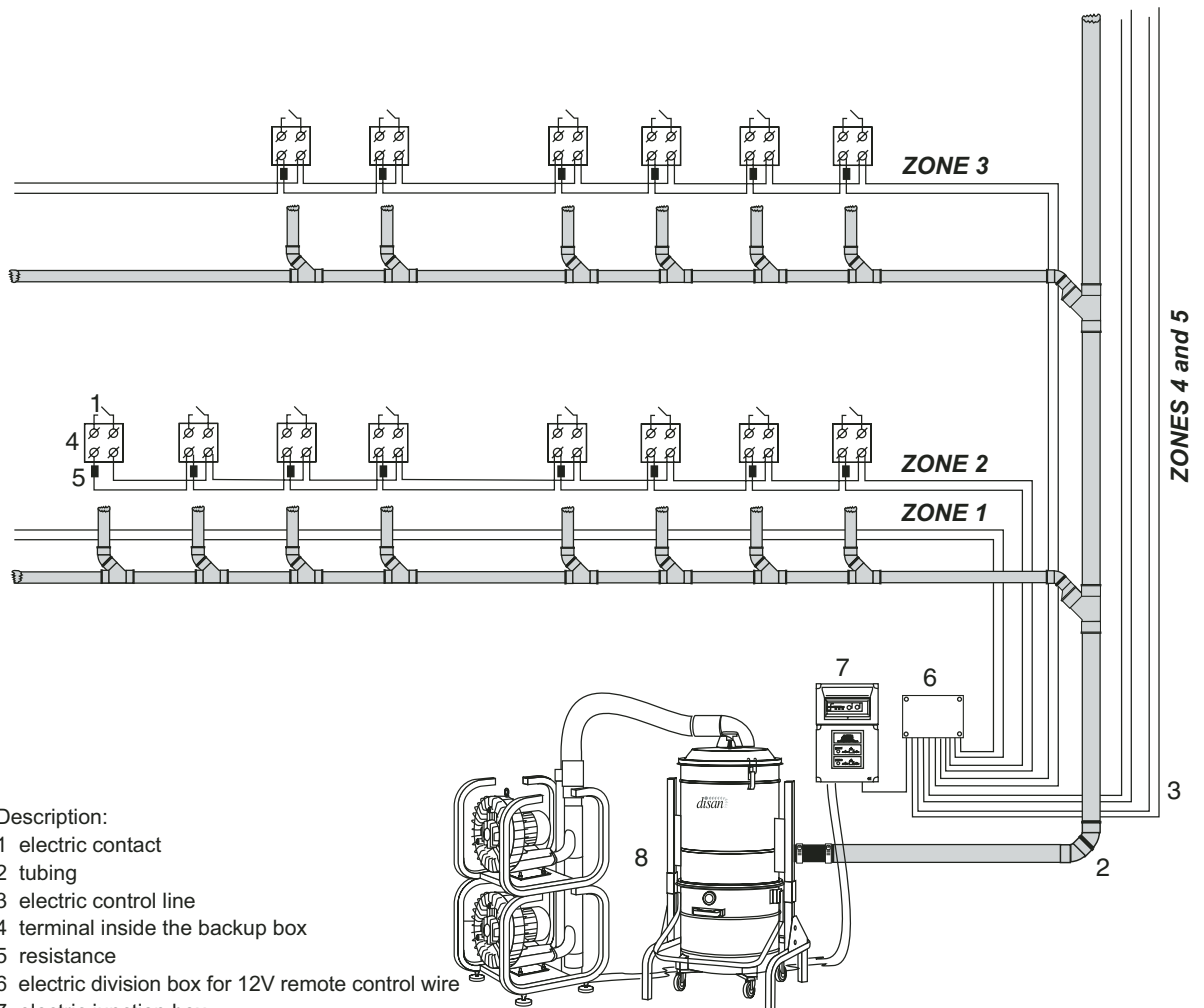
Suggestions for extended systems

With the models DSA01 and DSB01 mount the resistances on the inlet valves and the electronic control device only when it is planned to extend the system.

With the models DSB02 and DSD02 we suggest to install at once the device for 3 motors.

Z 854

Systems with more than 30 inlet valves



CALCULATION OF THE MATERIALS/COST-ESTIMATE

Definition of the material needed for the tubing

The following table indicates the material needed approximately, based on the number of inlet valves established in the planning phase.

From these amounts the material about the diameters 63, 80 and 100 mm must be deducted which will be separately calculated on the plan.

Please notice: the calculation of the materials in the table is approximate. In case of special conditions in the distribution of the tubing (unusual routes) - for instance if the central vacuum cleaner is positioned far away from the inlet sockets - please ask *Disan's* technical office for advice.

Inlet valve	Backup box	PVC pipe length 2m Ø 50 mm	45° PVC sreet ell Ø 50 mm	45° PVC sweep ell Ø 50 mm	45° PVC sweep TY Ø 50 mm	PVC coupling Ø 50 mm	Remote control wire 25 m ****	PVC adhesive 125 gr tube	PVC adhesive 500 gr can	Breather valve complete with reducer Ø 50 mm	Tight junction box	Wire clamp 30 cm	Collars made of stainless steel
See following pages	See following pages	Code VR050	Code VR051	Code VR052	Code VR053	Code VR055	Code EM025	Code KM125	Code KM500	Code VR058	Code* EM31/EM32	Code** EM033	Code*** KM501
1	1	5 (10 m)	3	3		2	1	1		1	1	9	6
2	2	8 (16 m)	6	6	1	4	1	1		1	1	16	11
3	3	11 (22 m)	9	9	2	6	2	2		1	1	23	15
4	4	15 (30 m)	12	12	3	8	2	2		1	1	30	20
5	5	18 (36 m)	15	15	4	10	2		1	1	1	36	24
6	6	21 (42 m)	18	18	5	12	3		1	1	1	43	29
7	7	25 (50 m)	21	21	6	14	3		1	1	1	50	33
8	8	28 (56 m)	24	24	7	16	4		1	1	1	57	38
9	9	31 (62 m)	27	27	8	18	4	1	1	1	1	63	42
10	10	36 (72 m)	30	30	9	20	4	1	1	1	1	72	48
11	11	39 (78 m)	33	33	10	22	5	2	1	1	1	79	53
12	12	42 (84 m)	36	36	11	24	5	2	1	1	1	86	57
13	13	46 (92 m)	39	39	12	26	6		2	1	1	93	62
14	14	50 (100 m)	42	42	13	28	6		2	1	1	99	66
15	15	52 (104 m)	45	45	14	30	6		2	1	1	106	71

* EM031 tight junction box/EM032 Junction box

** EM033 wire clamp 30 cm - 1 every meter of tube

*** KM501 collar with anchor diameter 50 mm (for tubes over the plastering) – 1 every 1.5 m of tube

**** EM025 remote control wire – 1,3 m for every metre of tube

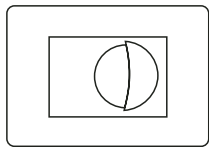
Choice of the inlet valves and of the electricity plates

Choose the model of inlet valve based on the furniture. Please consider that the available inlet valves are similar to those of the most common brands of electric sockets (square or rectangular). For systems for the industrial sector we advise the inlet valves with pin-jacks.

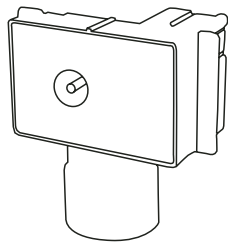
Please notice: for each type of inlet valve there is a backup box. Inlet valves and kits of cleaning accessories are interdependent.

See "Choice of the cleaning accessories" on page 16.

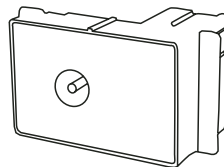
RECTANGULAR INLET VALVES AND BACKUP BOXES MOD. UNIVERSAL



Inlet valve
Mod. "Universal"
(decorative electric
plates are not
included)



Backup box with
90° ell code
SD101



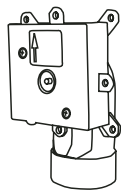
Backup box with
straight coupling
code SD102



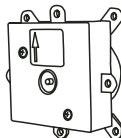
Universal extension
code SD802

- Inlet valve for bTicino Living International
Black colour
Code SD110
- Inlet valve for bTicino Luna and Matix
White colour
Code SD113
- Inlet valve for bTicino Light
White colour
Code SD113
- Inlet valve for bTicino Light Tech
Grey Tech colour
Code SD114
- Inlet valve for Vimar Idea and Rondò
Ivory colour
Code SD121
- Inlet valve for Vimar Idea and Rondò
Black colour
Code SD120
- Inlet valve for Vimar Plana
White colour
Code SD113
- Inlet valve for Ave Banquise
White colour
Code SD132
- Inlet valve for Ave System 45
Black colour
Code SD130
- Inlet valve for Legrand, Vela, Cross
White colour
Code SD150
- Inlet valve for Gewiss Playbus Young
Black colour
Code SD140

BACKUP BOXES FOR PANEL WALLS



- Backup box with 90° ell
Code SD504



- Backup box with straight coupling
Code SD505



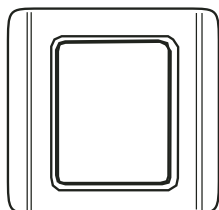
- Minimun extension (1,8 cm)
for square inlet valve
Code SD824



- Extension (5 cm) for
square inlet valve
Code SD822

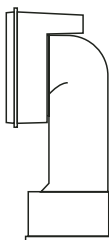
Central vacuum systems

Z 650



Inlet valve DISAN Mod. OLYMPIA
With microswitch or pin-jacks

Z 172



Backup box
for inlet valve
Mod. OLYMPIA

*Inlet valve with microswitch white colour,
with decorative trims:*

- white	Code SD530OW
- gold	Code SD530OG
- silver	Code SD530OS
- nickel	Code SD530OB

*Inlet valve with pin-jacks, white colour, with decorative
trims:*

- white	Code SD531OW
- gold	Code SD531OG
- silver	Code SD531OS
- nickel	Code SD531OB

Backup box 90° with ell

- under plaster	Code SD501
- for panel wall	Code SD504

Backup box with straight coupling

- under cover	Code SD502
- for panel wall	Code SD505

Extension for inlet valve 2,2 cm

Code SD824

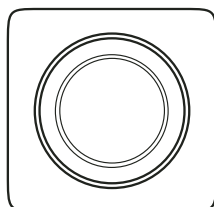
Frame for inlet valve

Code SD825

Decorative trims:

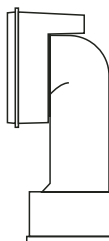
- white	Code OW
- gold	Code OG
- silver	Code OS
- nickel	Code OB

Z 653



Inlet valve DISAN mod. ROYAL
With microswitch or pin-jacks

Z 172



Backup box
for inlet valve
mod. ROYAL

*Inlet valve with microswitch white colour, with
decorative trims:*

- white	Cod. SD520OW
- gold	Cod. SD520OG
- silver	Cod. SD520OS
- nickel	Cod. SD520OB

*Inlet valve with pin-jacks, white colour, with decorative
trims:*

- white	Cod. SD521OW
- gold	Cod. SD521OG
- silver	Cod. SD521OS
- nickel	Cod. SD521OB

Backup box 90° with ell

- under plaster	Cod. SD501
- for panel wall	Cod. SD504

Backup box with straight coupling

- under cover	Cod. SD502
- for panel wall	Cod. SD505

Extension for inlet valve 2,2 cm

Cod. SD822

Frame for inlet valve

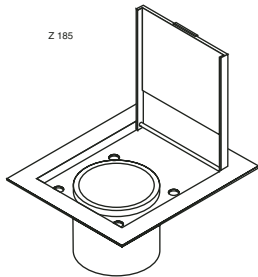
Cod. SD825

Decorative trims:

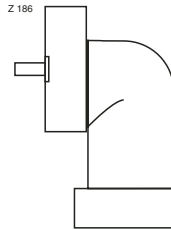
- white	Cod. OW
- gold	Cod. OG
- silver	Cod. OS
- nickel	Cod. OB

Please notice: add "R" to the codex of the inlet valve if the resistance is requested.

FLOOR INLET VALVE

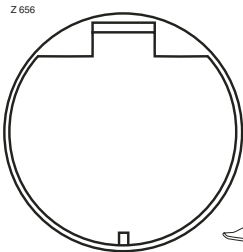


Wall and floor inlet valve DISAN mod. METAL in stainless steel with pin-jacks

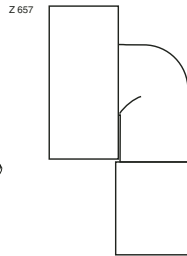


Backup box for inlet valve mod. METAL

Floor inlet valve with pin-jacks	Code SD911
Backup box with 90° ell	Code SD901
Backup box with straight coupling	Code SD902
Extension for inlet valve in stainless steel 2,5 cm	Code SD801



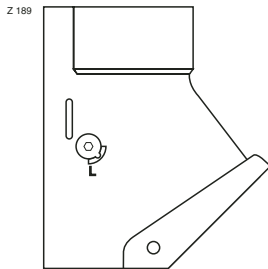
Floor inlet valve with microswitch



Backup box for inlet valve DISAN

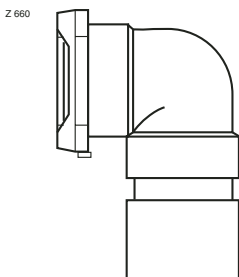
DISAN	
Floor inlet valve with microswitch	Code SD915
Key for floor inlet valve	Code SD919
Backup box with 90° ell	Code SD914
Backup box with straight coupling	Code SD918
Frame for inlet valve - in stainless steel	Code SD926
- black colour	Code SD925

UTILITY VALVES

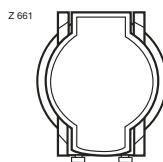


Utility valve DISAN mod. FREE with switch

Utility valve grey with switch	Code SD720
--------------------------------	------------



Utility valve DISAN mod. HOBBY with pin-jacks



Utility valve white with pin-jacks and with 90° ell	Code SD724
Utility valve white with pin-jacks and with straight coupling	Code SD723

Please notice: Add „R“ to the codex of the inlet valve if the resistance is requested.

Central vacuum systems

Choice of the cleaning accessories

CHOICE OF THE CLEANING ACCESSORIES	CODE
Deluxe set	
with flexible 7,5-m-hose	SZN301
with flexible 9-m-hose	SZN303
Deluxe Super set	
with flexible 7,5-m-hose	SZN301S
with flexible 9-m-hose	SZN303S
with flexible 11-m-hose	SZN305S
Standard set	
with flexible 7,5-m-hose	SZN302
with flexible 9-m-hose	SZN308
Standard Super set	
with flexible 7,5-m-hose	SZN302S
with flexible 9-m-hose	SZN308S
Garage set	
with flexible 9-m-hose	SZN307
Animal care tools	
with flexible 9-m-hose	SZN347
Professional set	
with flexible 9-m-hose	SZN309

See *Disan* general catalogue, *Disan* price list and *Disan* instructions of use.

Please notice: inlet valves and cleaning accessories are interdependent. If you choose cleaning tools with on-off switches on the handle of the hose, you necessarily have to install inlet valves with pin-jacks.

Approximate calculation of labour for the complete installation of the system

Approximate estimate of the working hours needed to install a system with 15 inlet valves. If the system has more inlet valves, use as model the needed hours with a proportional calculation of the hours in the schedule.

INLET VALVES	LABOUR HOURS
1	6
2	8,30
3	10,30
4	12,30
5	15
6	17
7	19
8	21,30
9	23,30
10	25,30
11	29
12	31
13	33
14	35,30
15	37,30

Choice of the central vacuum cleaner

Decisive factors in the choice of a central unit.

1. the number of operators working simultaneously
2. the pipe length.

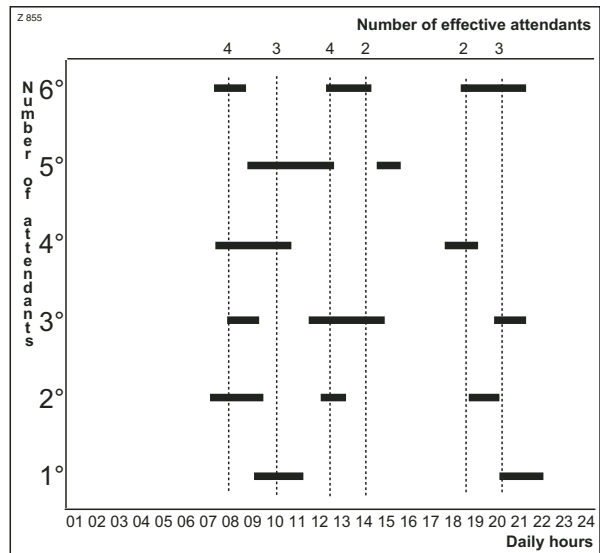
If we consider that in normal condition every 1,000 m² of surface works 1 operator, the length of the tubes is lower than the vacuum power of the motors. In a building of 1,500 m² you need about 30 inlet valves and about 300 m of hose. Airlosses calculation are not requested if we consider this indication. If not so please contact the technical office *Disan*.

3. the quantity of dust that is vacuumed. In the buildings with many people (offices, banks, hotels, theatres, etc.) we advise dust container capacity in order to avoid many emptying.

Considerations about the number of operators working simultaneously needed

From the graph we can deduce that in normal conditions the attendants do not work simultaneously on the system.

If in a hotel work 6 attendants, on average the system is used by 4 operators at the most, while the other 2 persons do other works.



Models available for number of operators:

1 operator



- **Mod. DS Super Compact 1,5** **Code 6405**
This single-phase model is advised in the buildings with max. surface of about 700 m². In the buildings with less surface it can be a valid alternative to the single-phase units of ZSA range, when a greater suction power is needed and especially a reduction of maintenance thanks to the automatic filter shaker. The model is compact and all the components (electric control panel included) allow a space reduction and a quick installation.
- **Mod. DS Super Compact 2,2** **Cod. 6406**
This three-phase model is advised in the buildings with max. surface of about 1,000 m². The model is compact and all the components (electric control panel included) allow a space reduction and a quick installation.
- **Mod. DS A01 100 I** **Cod. A100**
Mod. DS A01 125 I **Cod. A125**
This three-phase modular model is advisable in buildings with max. surface of about 1,000 m². Unlike the model DS Super Compact 2,2 the model DSA01 uses dust separators of bigger capacity, to avoid the frequent emptying of the dust container. Furthermore this model can be enlarged to 2 or 3 operators working simultaneously. In this case also the diameters of the tubes shall be suitable to allow more operators working simultaneously.

2 operators working simultaneously



- **Mod. DS Super Compact Turbo 2,2 single-phase** **Code 6409**
This single-phase model is advised in the buildings with max. surface of about 1,000 m². The model is compact and all the components (electric control panel included) allow a space reduction and a quick installation.
- **Mod. DS Super Compact Turbo 4,5i** **Code 6408**
This compact three-phase model is advised in the buildings with max. surface of about 2,000 m². The frequency converter allows a suitable suction for 3 kW motor on the kind of filtering surface and on the numbers of operators working on the system. To be operating fully the motor absorbs 4,5 kW. This inverter differs from the others because it modulates the motor power in more than 100 values, thanks to a depression transducer. The model is compact and all the components (electric control panel included) allow a space reduction and a quick installation.

- **Mod. DS B01 100 I** **Code B100ST**
Mod. DS B01 125 I **Code B125ST**
This three-phase model is advised in the buildings with max. surface of about 2,000 m². Unlike the model DS Super Compact 4,5 Turbo the model DSB01 uses dust separators of bigger capacity, to avoid the frequent emptying of the dust container. Furthermore this model can be enlarged to 4 or 6 operators working simultaneously. In this case the diameters of the tubes shall be suitable to allow more operators working simultaneously.
- **Mod. DS B02 100 I** **Cod. B200**
Mod. DS B02 125 I **Cod. B225**
This three-phase model is advised in the buildings with max. surface of about 2,000 m². Unlike the model DS Super Compact 4,5 Turbo the model DSB02 uses dust separators of bigger capacity. This model is preferable to the model DS B01 in the case in which the use of 2 operators working simultaneously is not frequent. It is possible an energy savings thanks to the sequential starting device for motors.
Example: in a small hotel during high season work 2 operators simultaneously while during low season the system needs just one operator. This kind of system allows, if requested, the starting of just one motor and an energy saving. This model can be enlarged to 3 operators working simultaneously. In this case the diameters of the tubes shall be suitable to allow more operators working simultaneously.

2-3 operators working simultaneously



- **Mod. DS BC 100i** **Cod. BC100i**
This three-phase model is advised in the buildings with max. surface of about 2,500 m². The frequency converter allows the adaptation at the kind of cleaning surface or at the number of operators. The model is compact and all the components (electric control panel included) allow a space reduction and a quick installation.

3 operators working simultaneously



- **Mod. DS C03 100 I** Code C100
Mod. DS C03 125 I Code C125
This three-phase model is advised in the buildings with max. surface of about 3,000 m².

3-4 operators working simultaneously



- **Mod. DS CD 125i** Code CD125i
This three-phase model is advised in the buildings with max. surface of about 3.500 m². The frequency converter allows the adaptation at the kind of cleaning surface or at the number of operators. The model is compact and all the components (electric control panel included) allow a space reduction and a quick installation.

4 operatori in contemporanea



- **Mod. DS D02 100 I** Code D100ST
Mod. DS D02 125 I Code D125ST
This three-phase model is advised in the buildings with max. surface of about 4.000 m². This model can be enlarged to 6 operators working simultaneously. In this case the diameters of the tubes shall be suitable to allow more operators working simultaneously.

6 operators working simultaneously



- **Mod. DS F03 125 I** Cod. F125ST
This three-phase model is advised in the buildings with max. surface of about 6,000 m².

8 operators working simultaneously



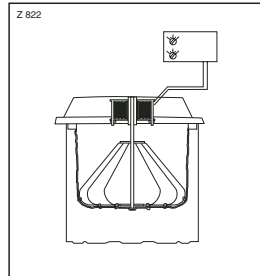
- **Mod. DS H02 125I** Cod. H125ST
This three-phase model is advised in the buildings with max. surface of about 8,000 m². The model is for 8 operators working simultaneously, in this case also the diameters of the tubes shall be suitable to allow more operators working simultaneously.

Central vacuum systems

Please notice: in the case in which one need a central vacuum cleaner with more than 6 operators working simultaneously, we advise to install 2 or more independent systems.

! WARNING !

All the separators are equipped with a manual filter shaker device and they are arranged for the automatic filter shaking device installation which is advised in order to reduce the filter cleaning operations.



List of optional for mod. DS Super Compact

- Filter self-cleaning device with circuit board. This device permits the automatic, daily cleaning of the filter, thereby always guaranteeing its full vacuum efficiency. Code IS91
- Double cyclone
The upper cyclone protects the filter and brings the mixture flow air-dust by creating a first gravitational separation. The lower cyclone obstructs the lift of the dust
- Plastic bags for dust collection, 20-piece-package. Code ER628
- Supporting bracket for wall fixing, including template. Code IS90

For the installation, please see the instructions attached to each optional.

List of optional for mod. DS Modular range

- Automatic self-cleaning filter device with electronic card.
This device permits the automatic, daily cleaning of the filter, thereby always guaranteeing its full vacuum efficiency.
mod. with separator 100 l code IS92
mod. with separator 125 l code IS01
- Grill and pipe
It allows the use of the plastic bags
mod with separator 100 l code IS05
mod with separator 125 l code IS07
- Plastic bags for dust collection, 20-piece-package.
mod. with separator 100 l code IE601
mod. with separator 125 l code IE602
- Cyclone
It divides the filter chamber from the container by protecting the filter from the thicker dust.
Mod. with separator 100 l code IS08

For the installation, please see the instructions attached to each optional.

Technical data of the central units

CENTRAL UNIT OF MOD. SUPER COMPACT	Mod. DS Super Compact 1,5 single-phase	Mod. DS Super Compact Turbo 2,2 single-phase	Mod. DS Super Compact 2,2 three-phase	Mod. DS Super Compact Turbo 4,5i three-phase
Operators	1	2	1	2
Motor power kW	1,5	2,2@50Hz	2,2	4,5@50Hz
Voltage requirement V	230	230	380 - 400	380 - 400
Motor rotation rpm	2880	2880 - 3480	2880	2170 - 5000
Suction power max mbar	300	320	320	360
Inch H O	121"	128"	128"	144"
Airflow max m ³ /h	251	306	320	520
CFM	148	180	188	307
Airflow @ 140 mbar	180	244 - 285	270	150 - 450
CFM@56"	106	143-168	159	88-265
Airwatt @ Ø32mm W	574	688	638	825
Volume filter chamber l	70	70	70	70
gallons	18,5	18,5	18,5	18,5
Dust receptacle capacity l	40	40	40	40
gallons	10,56	10,56	10,56	10,56
Sound level dB	65	68	67	68
Filter surface cm ²	5.700	7.100	5.700	7.100
sq. inch	884	1,100	884	1,100
Weight with packaging/net kg	91 / 81,2	94 / 84,2	98,8 / 89	108 / 99
pound	200/180	207/185	200/180	238/218
Dimensions LxPxA cm	54 x 40 x 161	54 x 40 x 161	54 x 40 x 161	54 x 40 x 161
h x w x d inch	15.7x21.3x63.3"	15.7x21.3x63.3"	15.7x21.3x63.3"	15.7x21.3x63.3"

Central vacuum systems

	Mod. DS A01 100L Code A100	Mod. DS A01 125L Code A125	Mod. DS B01 100L Code B100ST	Mod. DS B01 125L Code B125ST	Mod. DS B02 100L Code B200	Mod. DS B02 125L Code B225	Mod. DS BC 100i Code BC100i	Mod. DS C03 100L Code C100	Mod. DS C03 125L Code C125	Mod. DS CD 125i Code CD125i	Mod. DS D02 100L Code D100	Mod. DS D02 125L Code D125	Mod. DS F03 125L Code F125ST	Mod. DS H02 125L Code H125ST
Operators	1	1	2	2	2	2	2+1	3	3	3+1	4	4	6	8
Max building surface *	1.000	1.000	2.000	2.000	2.000	2.000	2.500	3.000	3.000	3.500	4.000	4.000	6.000	8.000
Nominal motor power	1x2,2	1x2,2	1x5,5	1x5,5	2x2,2	2x2,2	1x4,5	3x2,2	3x2,2	1x5,5	2x5,5	2x5,5	3x5,5	2x7,5
Voltage requirement	380- 400	380- 400	380- 400	380- 400	380- 400	380- 400	380- 400	380- 400	380- 400	380- 400	380- 400	380- 400	380- 400	380- 400
Inlets voltage requirement	Volt	12	12	12	12	12	12	12	12	12	12	12	12	12
Suction power	mbar	320	320	360	360	320	340	320	320	360	360	360	360	380
Airflow max	m ³ /h	316	316	552	552	632	690	942	942	868	1100	1100	1640	1810
Airflow @140 mbar	m ³ /h	224	224	407	407	440	165-565	655	655	223-784	805	805	1210	1470
Sound level	dB	68	68	78	78	68	68	68	68	71	78	78	78	78
Engine weight	kg	51,5	51,5	156	156	106	65	157	157	163	325	325	486	369
Engine width	cm	47,5	47,5	59,5	59,5	47,5	53	47,5	47,5	67	59,5	59,5	59	59,5
Engine depth	cm	65	65	96	96	65	63,5	65	65	97	96	96	96	97
Engine height	cm	50	50	65	65	97	58	97	97	65	125	125	185	145
Filter chamber capacity	l	160	210	160	210	160	160	160	210	210	160	210	210	210
Dirt receptacle capacity	l	100	125	100	125	100	100	100	125	125	100	125	125	125
Filter surface	cm ²	19.500	35.000	19.500	35.000	19.500	19.500	19.500	35.000	35.000	19.500	35.000	35.000	35.000
Separator weight	kg	57	95	57	95	57	57	57	95	95	57	95	95	95
Separator width	cm	65	80	65	80	65	65	65	80	80	65	80	80	80
Separator depth	cm	63	72	63	72	63	63	63	72	72	63	72	72	72
Separator height	cm	153	157	153	157	153	153	153	157	157	153	157	157	157

* Approximate values

MAKING OF THE PIPING

General instructions

- The tubing should be installed together with or after the plumbing system in order to avoid changing of the route. The latter should be short and as much as possible.
- Unlike the plumbing system, the tubes of the suction system do not need any slopes.
- If obstacles are found, route and slope can be changed.
- The points of connection of the vertical column and of the breather pipe to the central vacuum cleaner are indicated in the paragraph "Location of the central vacuum cleaner", on page 5.

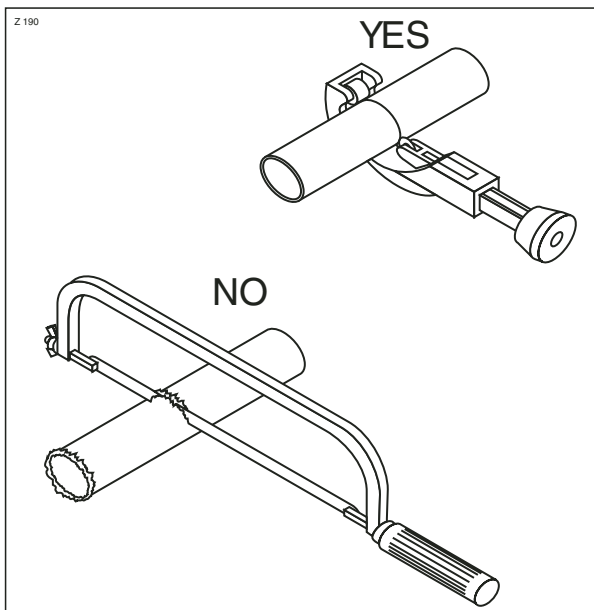
Laying of the tubing

The non-observance of the following instructions causes clogging, a reduction in the air flow speed and annoying whistling.

How to cut the pipes

Pipes must be cut using the pipe-cutter fitting this purpose (e.g. the Disan pipe-cutter code GE801 for diameters of 63 mm and pipe-cutter code GE803 for diameters up to 100 mm). Then eliminate the slight defects inside the tube with a little knife or with glass-paper.

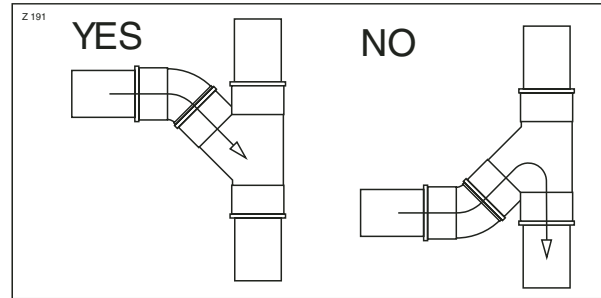
Cutting the tubes with the hacksaw causes irregular cuts and slight defects, which cause clogging.



Consider the air-flow

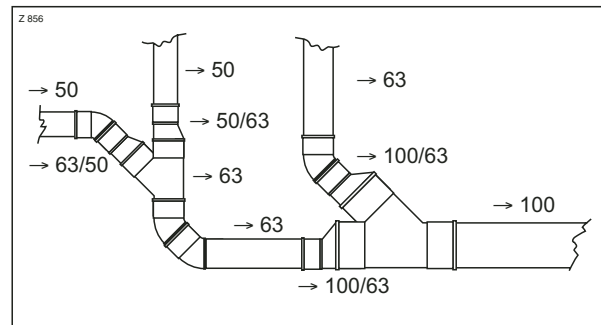
When you install the joints, follow the direction of the air-flow.

The joints installed and positioned in the opposite direction of the air-flow cause clogging and the slowing down of the flow itself.



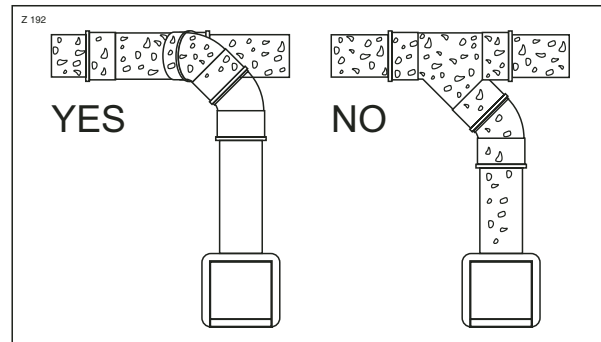
Insert a secondary line into the main one

Mount the special reducers after the sweep TY, if needed.



If a secondary line is installed from the bottom to the top, it must be inserted into the main tube on a side or from above.

If a secondary line is installed from the bottom to the top and is inserted into the main tube from the bottom, the dust that flows in the tubes falls and deposits inside the inlet valve.

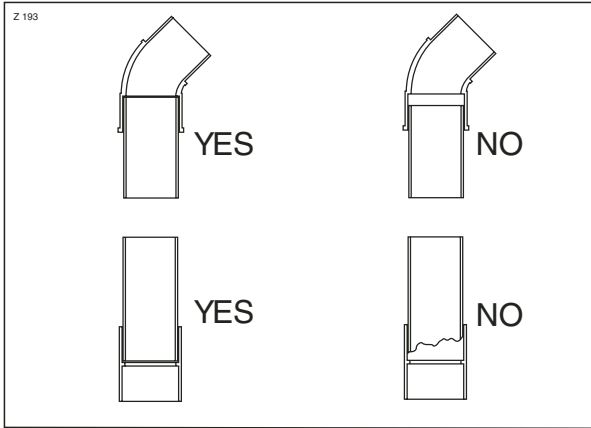


Central vacuum systems

How to glue the tubes

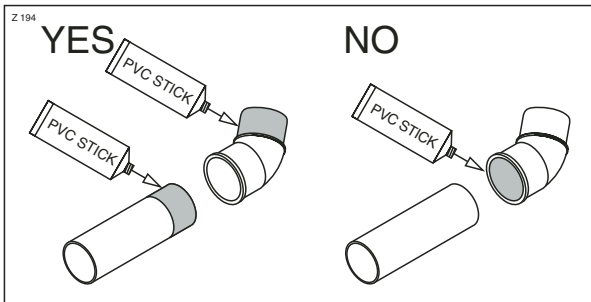
Tubes and fittings have to be glued exclusively head to head.

Tubes which are not glued head to head or which are improperly cut cause clogging.



Tubes and fittings are glued using a special adhesive (cold gluing). The adhesive must be exclusively put on the “tongue” connectors/tubes.

If the adhesive is put on the “groove” connectors, this causes filaments inside the tube.



Please notice: when laying several fittings, we recommend - before gluing - to mark with a felt-tip pen the exact point (grading) where the fittings have to be connected. **IMPORTANT!** The adhesive reacts very quickly (approx. 20 seconds) after which it is impossible to move the glued fittings.

! WARNING !

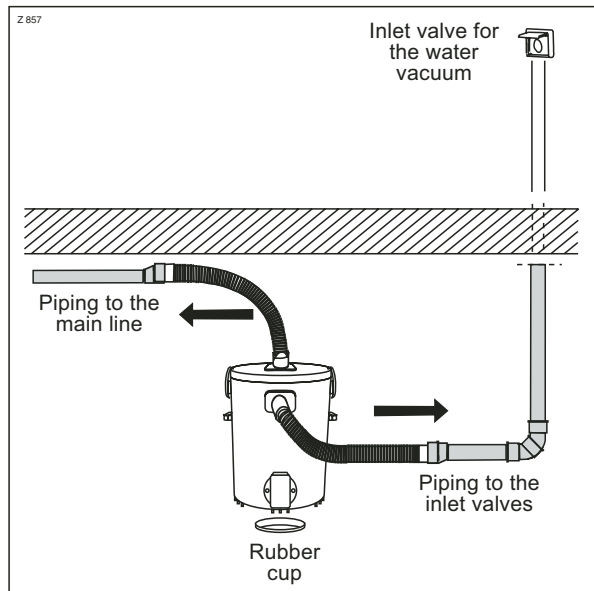
Do not install external piping in contact with sunbeams and atmospheric agents. In these cases we advise to use zinc-coated stainless steel tubes. Contact the technical office Disan.

If it is not possible to avoid the installation of external tubes, cover the tube with thermal insulating material (normally used in the hydraulic field).

Laying and connection of the water vacuum system

- Insert tight the rubber couplings of the flexible tubes (connected to the water pick-up):
 1. to the pipe fitting equipped to connect to the main line of the system.
 2. to the pipe fittings equipped to connect to the line coming from the inlet valves for water suction
- Please pay attention that the water exhaust valve will be exactly positioned up to the runner cup in order to permit the perfect convey of the vacuumed liquids in the pipe.

Please notice: the rubber couplings could be inserted directly in the piping diameter 63 mm or with the reducers of the other diameters.



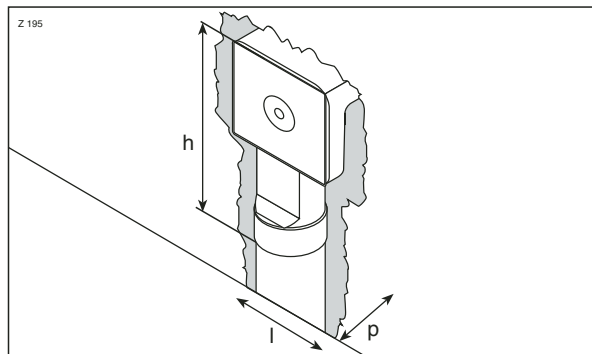
Central vacuum systems

Laying of the backup boxes

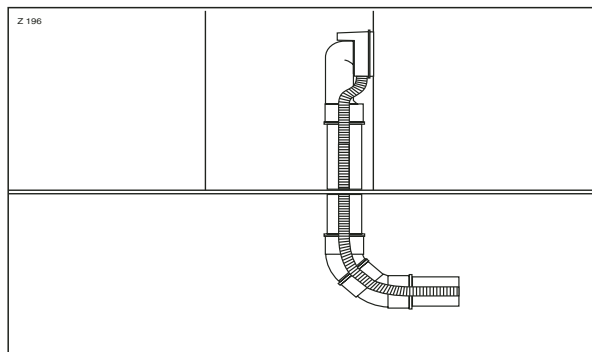
The backup boxes must be installed flush with the plaster and it must be positioned perfectly in an horizontal position.

The chases on the wall change according to the inlet socket that one intends to install:

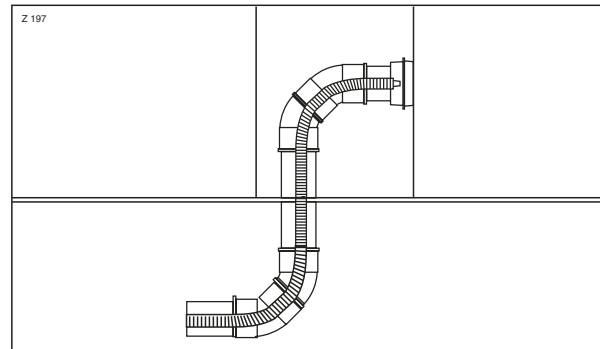
- *Disan* rectangular backup box code SD101/SD102
 minimal depth (p) = 70 mm
 minimal width (l) = 125 mm
 minimal height (h) = 125 mm
- *Disan* square inlet valve code SD501/SD502
 minimal depth (p) = 65 mm
 minimal width (l) = 85 mm
 minimal height (h) = 140 mm



Installation scheme of the backup box with 90° ell.



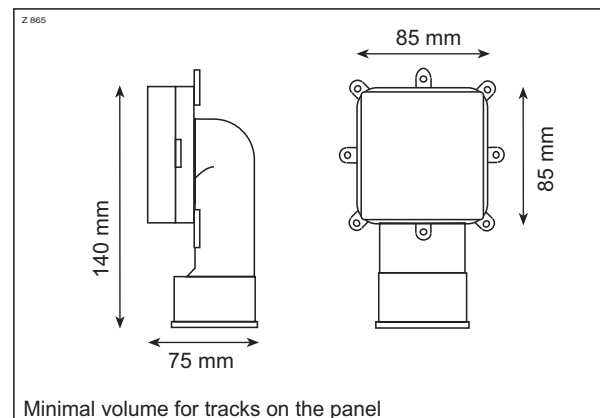
Installation scheme of the backup box with straight fitting.



Application only on the movable boards (panel wall)

Use the proper square backup boxes for inlet valves Olympia, Royal and Majestic.

Depending on the panel thickness fix the box of the backup box with its screws.



INSTALLATION OF THE BREATHER LINE

Installing the breather line towards the outside

Mount the silencer at the furthest point of the line in order to absorb as much noises as possible (see paragraph "Planning of the breather pipe" on page 8).

It is not advised to use too many sweep ells which could slow down the expulsion and consequently reduce the motor performances.

It is advised that the last meters (max. 5 m) of the breather line have a piping with a larger Ø in comparison with those of the pipes used for the vertical column. (see pages 8-9).

Central vacuum systems

LAYING OF THE ELECTRIC CONTROL LINE

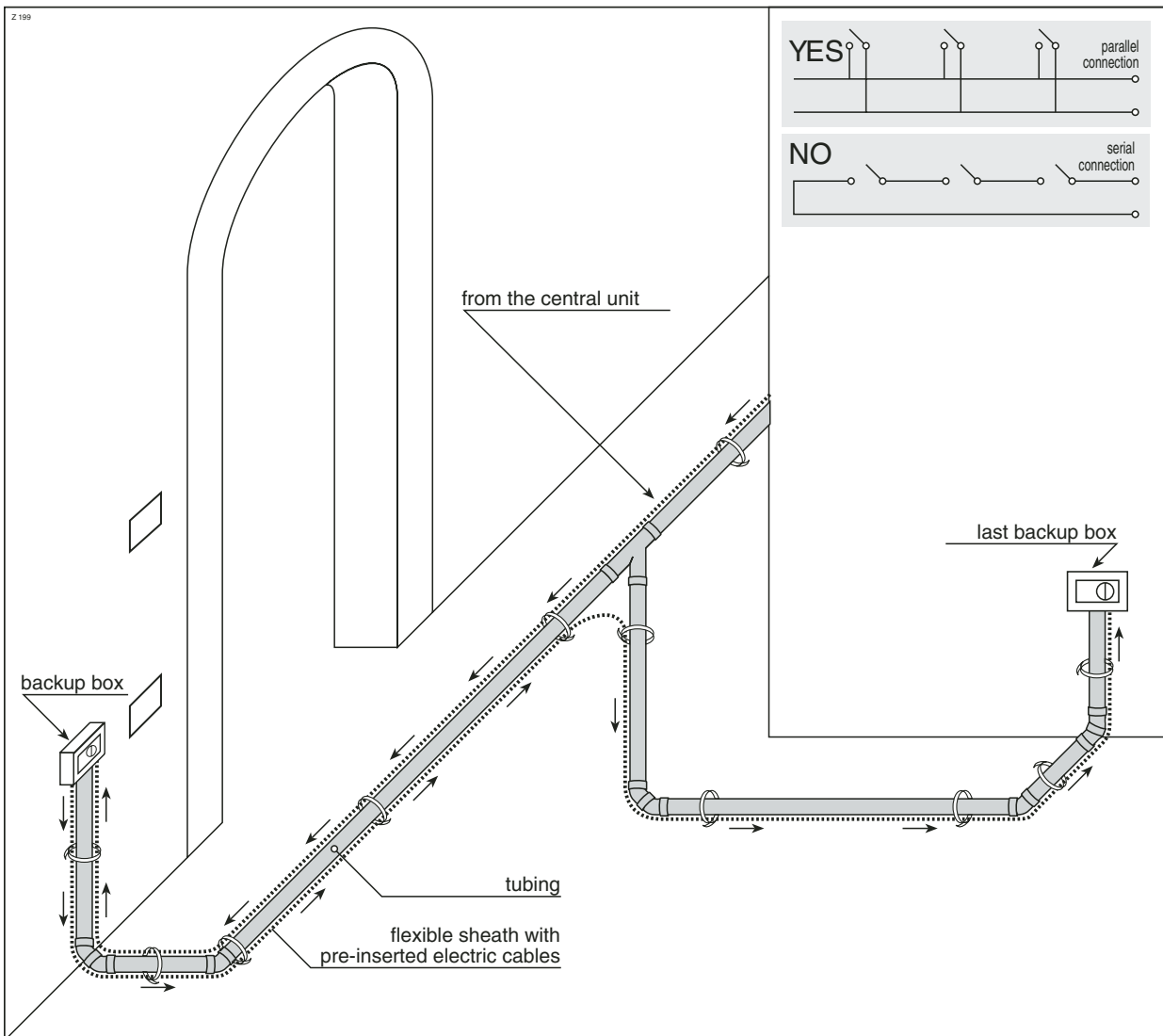
The electric control line is installed in the following way:

the electric cable coming out from the electrical junction box, which is placed near the central unit, is installed together with the tubing and is connected from one backup box to the other.

Fix the sheath to the tubes using the suitable wire clamps.

The backup boxes are connected by inserting the ends of the electric sheath pre-inserted into the two openings of the backup box.

Please notice: in order to allow future connection to the binding screw and to the inlet valve insert the electric cables for approx. 5 cm into the backup box and in the electric junction box.



TESTING

Testing occurs after completing the laying of the tubes and before laying the floor.

The purpose of the tests is in order to guarantee that the tubes are not damaged and that everything has been properly glued. Otherwise the system may not be air-tight.

This is very important because:

- even the smallest air infiltration into the tubing causes a reduction in depression values and airlosses;
- after the laying of the floors, it is very expensive to solve these problems.

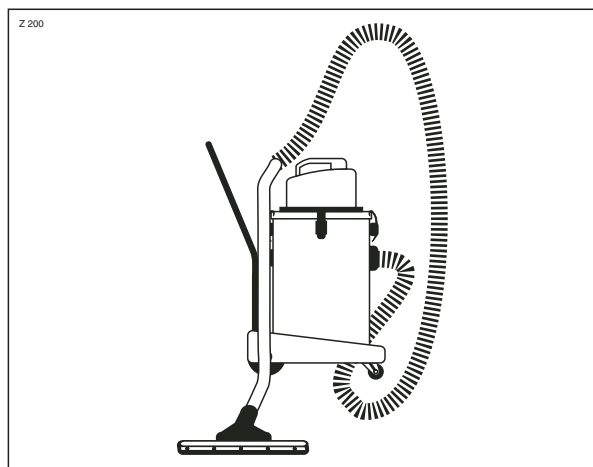
Please notice: while laying the floors and plasters, be careful not to damage the pipe line.

1. Get the vacuum cleaner tester *Disan* (code GE815).

Disan's testing kit includes the vacuum cleaner and all the fittings necessary for connection to the pipe line. If you use a traditional vacuum cleaner, ensure a perfect tightness using rubber couplings or similar devices.

Disan's testing-kit is composed of:

- 1 powerful vacuum cleaner equipped with a pre-mounted inlet valve.
- 1 vacuum gauge
- 1 stethoscope
- 3 PVC reducers 100-50 mm/80-50 mm/63-50 mm adapters

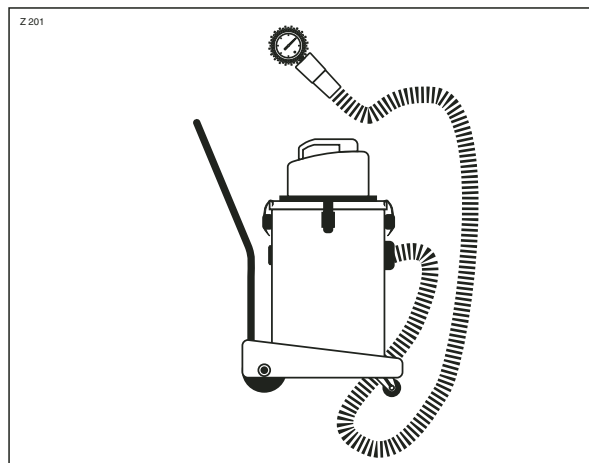


2. Measure the depression produced by the vacuum cleaner

Depression is measured by introducing the corresponding vacuum gauge (code GE800) into the end of the hose of the testing vacuum cleaner.

While the machine is working, read the depression value on the vacuum gauge.

Please notice: we suggest to measure the depression at every test, because it can change from site to site due to the different voltage.

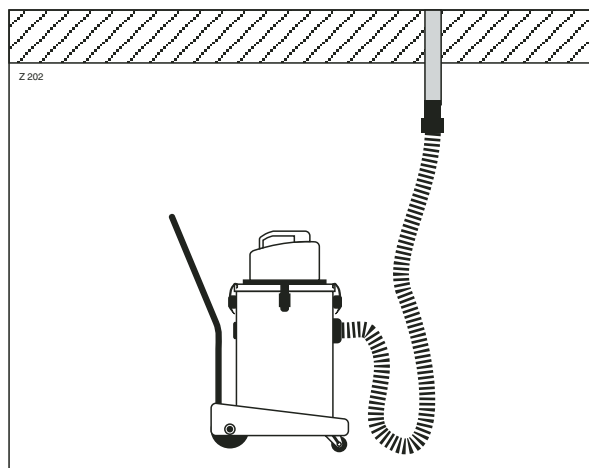


3. Insert the hose fitting into the end of the pipe line by using the most suitable fitting.

The end of the pipe line is the point where the central vacuum cleaner has to be connected.

Please notice:

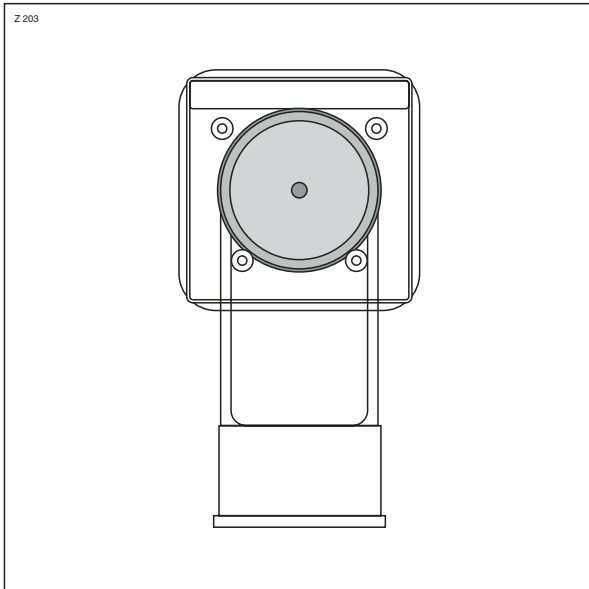
- the vacuum cleaner must be connected to the pipe line so that there won't be any possibility to have reduction of the depression value and airlosses.
- *Disan's* vacuum cleaner tester is equipped with a thermostat which automatically switches off if the motor gets overheated. After cooling(8-10 minutes) the vacuum cleaner switches on again automatically.



Central vacuum systems

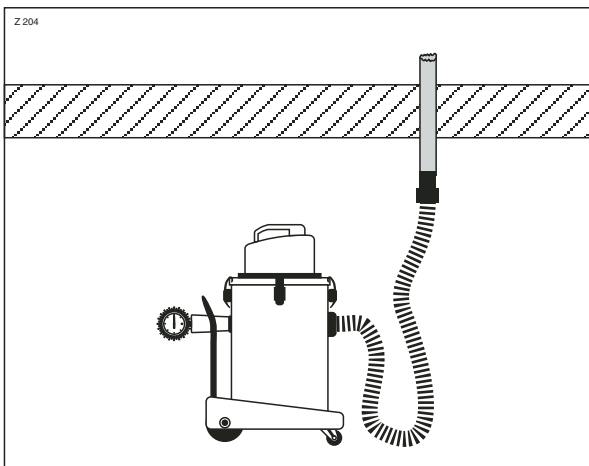
4. Check the closing caps in the backup boxes

In order to carry out this part of the testing successfully, you need to make sure that all the 90° bends of the backup boxes are provided with the taps for the airtight closure of the system.



5. Insertion of the vacuum gauge

Insert the vacuum gauge directly into the inlet socket mounted on the vacuum cleaner.



6. Switch on the testing vacuum cleaner

Wait a few seconds so that the system creates the depression needed for the measurement. The vacuum gauge will indicate the exact depression value once the pointer has come to a standstill.

7. Measure the depression at the inlet valve

Check that the depression value measured at the inlet valve corresponds with that at the inlet of the testing vacuum cleaner. If the tubes and the fittings have been glued in a perfect way, the values will coincide.

Please notice: if the measured values do not correspond, there is an air infiltration in the tubing.

Location of losses

1. Locating the origin of the whistles

Follow systematically the pipe line and check if it is damaged. At the same time, listen if there are any whistles. If this check does not provide any successful result, use the stethoscope (part of *Disan's* testing kit) to listen systematically along the tubing for whistles; in particular where fittings and tubes have been glued. Even the minimum loss produces irritating noises!

2. Repair the tubing

If necessary, replace the tube or the fittings so that the tubing is perfectly tight.

Repeat the testing of the system.

After carrying out the test successfully, *Disan* suggests giving to the purchaser or to the chief of works a copy of the certificate (see second-last page of this handbook) and of the tubing distribution in order to avoid disputes or future liabilities.

INSTALLATION AND CONNECTION OF THE INLET VALVES AND OF THE CENTRAL VACUUM CLEANER

Installation and connection of the inlet valves

Remove the protection cap and the cover of the backup box

Connect the inlet valves to the power mains

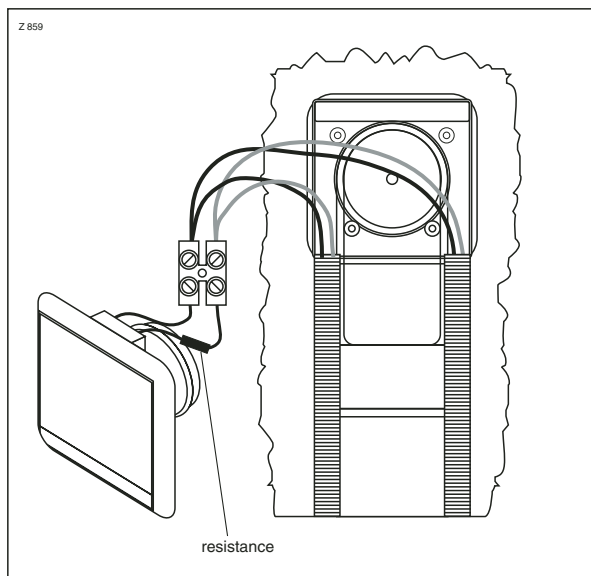
The two incoming electric cables must be connected in parallel to the two outgoing cables with a binding screw. Then connect the binding screw to the inlet valve.

Resistances

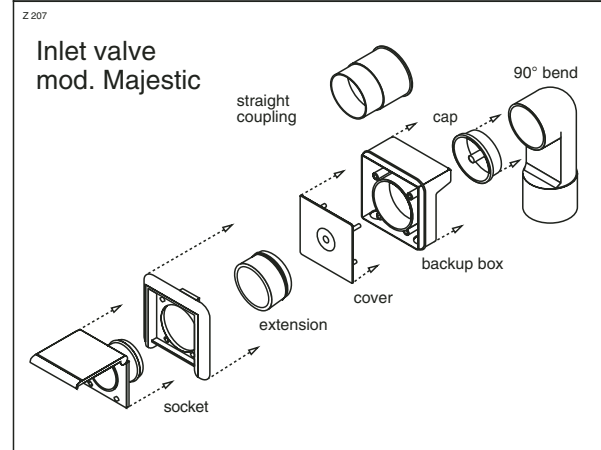
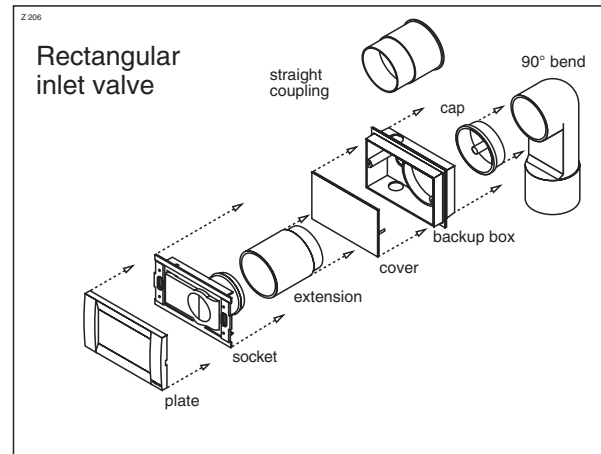
If you use the sequential starting device please control if there is a resistance (code IS106) 4700Ω on every single inlet valve. The resistances can be installed later and welded on one of each outgoing cable of the control operation panel which is on the inlet valve. Protect the resistance with a thermoproof covering.

Install the inlet valves

- Put some soap on the corresponding tightness O.R. for an easier insertion of the inlet valve into the backup box.

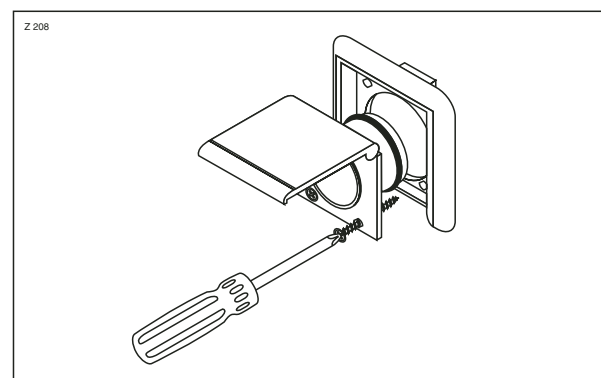


- Use the proper extensions if the backup box is too embedded with respect to the plaster's surface (for instance because of the panelling of the walls). If necessary, it is possible to glue several extensions.



- Pre-screw carefully the screws of the inlet valve with a screwier, so that the socket is not deformed.
- Adjust the position of the inlet valve with a screwdriver, using washers if necessary.

Please notice: if the screws are not properly screwed this may compromise the perfect tightness of the inlet valve and as a consequence the performance of the system.



Central vacuum systems

Installation and connection of the central vacuum cleaner

Features of the electric power supply:

Be sure the section (diameter) of electric cables is at least 2,5 mm².

• Mod. DS Super Compact

In the dust container of the central unit the following parts are contained:

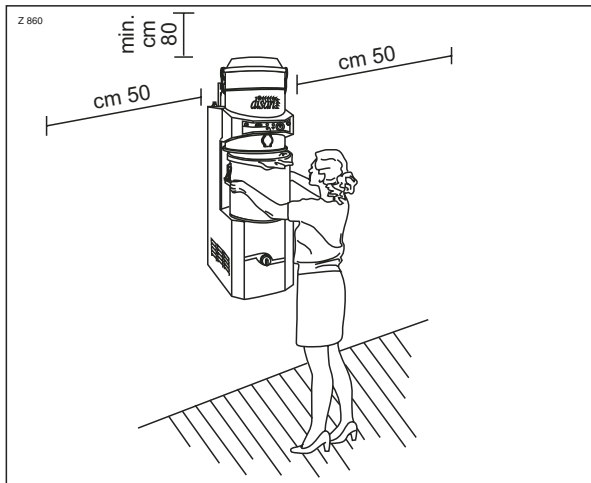
- 2 collars
- 1 tube Air for the connection to the vacuum piping

The central unit can be installed on the wall or on the floor.

When it is installed on the wall with the special optional bracket for wall fixing (code IS90) please take into account the minimal distances requested (as in the drawing), in order to allow the reaching of the dust container. Please see the instructions in the mounting kit.

! WARNING !

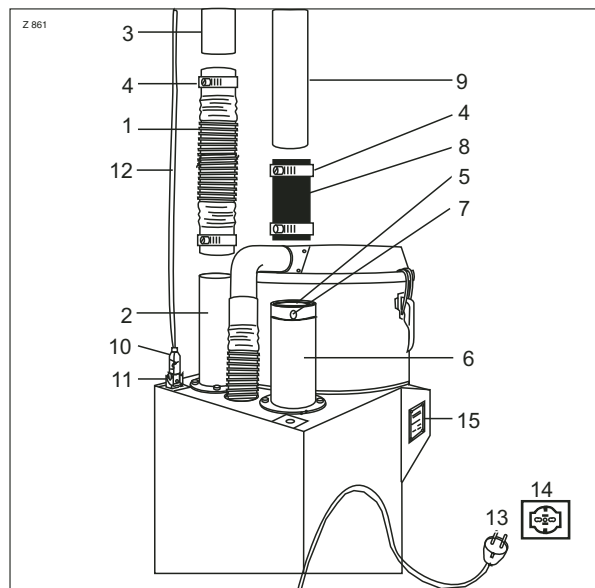
In the case of wall installation we advise to install an automatic shaker device.



Stages for the connection of the central unit:

1. connect the tube Air 1 to the vacuum tube 2 which is located on the back side of the central unit and to the vacuum piping to the inlet valves 3, fixing with a collar for the sealed connection 4 on both sides.
2. if you want to install a breather pipe remove the breather protecting screen 5 from the double lock tube 6 by taking out the two lateral rivets 7. With the optional rubber hose (code TE920) connect the zinc tube 6 to the breather piping, by fixing them with the help of 2 collars 4 on both sides.
3. remove the plug of the sockets 10 which is located on the socket 111 and connect to the power main 12 V by paying attention to do the connection on the grips 1 and 2 of the plug. Reconnect the plug to the socket.
4. connect the plug 13 to an electricity socket 14 and the tension should be the same of that written on the identification plate 15.

Please notice: the model DS Super Compact Turbo 4,5i needs the use of a differential circuit breaker switch FI of the value of 300 mA.

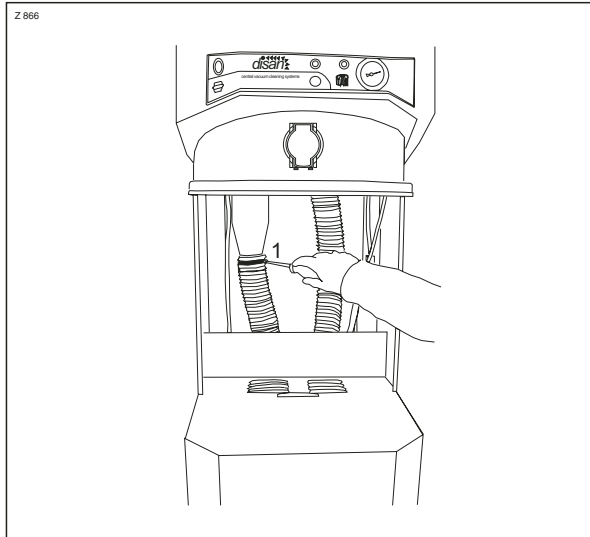


Central vacuum systems

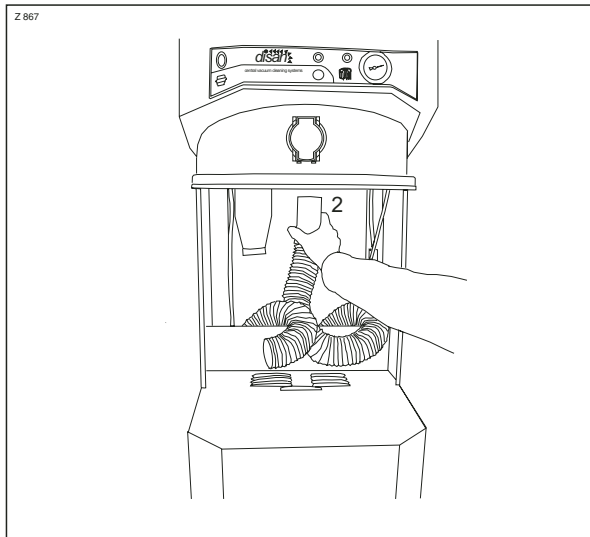
Steps for the dismantling of the central unit

For the installation of some optional and for maintenance reasons it is necessary to dismantle firstly the central unit as described in the following stages.

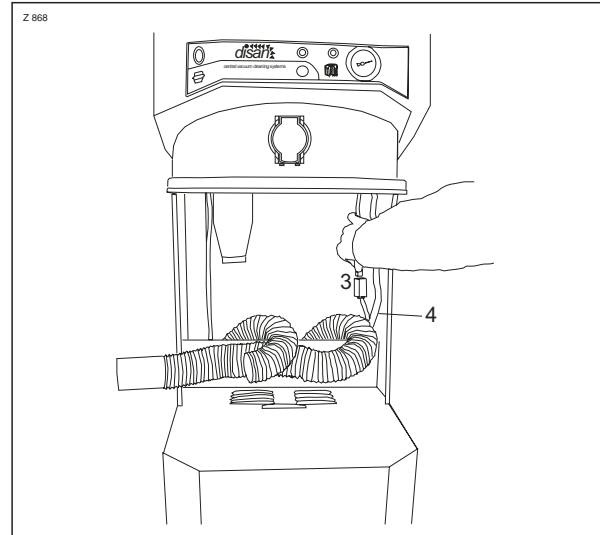
1. unscrew the hose clamp 1 which connects motor-silencer.



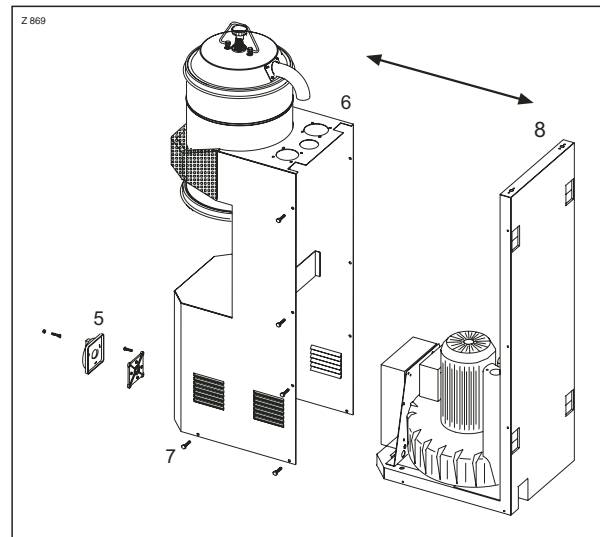
2. take off the rubber hose 2 of the flexible hose from the zinc sweep ell of the cover and take it out



3. remove the supply 3 from the control panel
4. remove the transparent depression tube vacuum gauge 4 from its connection placed on the motor



5. dismantle the main switch 5 from the supporting frame covering 6
6. unscrew the screws 7 of the supporting frame covering 4 from the supporting frame 8



7. separate the covering supporting frame 8
- After these operation reassemble the central unit by following the steps backwards.

Central vacuum systems

• Mod. DS Super Compact

In the dust container of the central unit the following parts are contained:

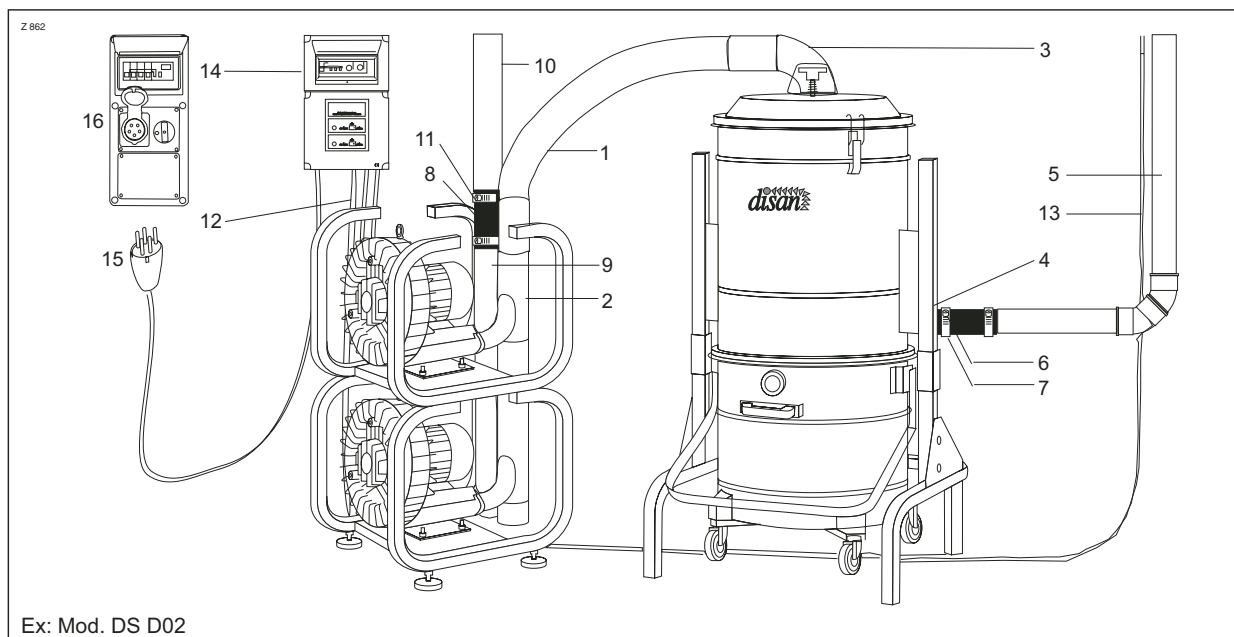
- 1 rubber hose for the connection to the breather pipe.
- 4 collars
- 1 tube Air for the connection of the vacuum piping.

We advise to locate the vacuum motors on the left side of the dust separator. If differently, please contact the technical office Disan.

Fix on the wall, near the central unit, the electric box and, if present, the switchboard of the automatic filter cleaner and the electric division box for 12V remote control wire.

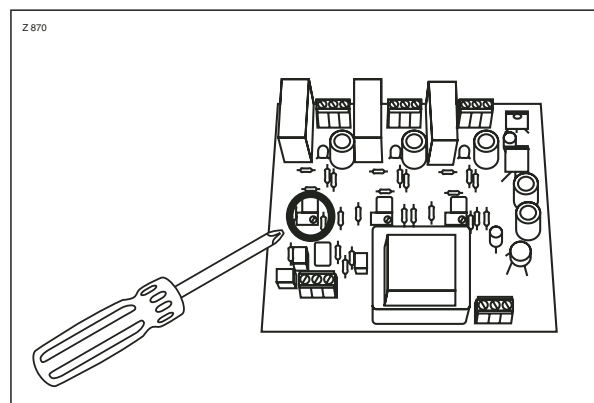
Steps for the connection of the central unit:

1. connect the tube Air 1 to the vacuum hose 2 of the motor and to the zinc-coated junction 3 of the cover of the dust separator.
2. connect the zinc-coated junction 4 on the filter chamber of the dust separator to the inlet valves 5 with the rubber hose 6 and fix it with two collars 7 on both sides.
3. with the help of the rubber hose 8, connect the rubber connection 9 of the motor to the breather piping 10 by fixing it with two collars on both sides.
4. connect the electric cables 12 of the motor and the electric power 12 V to the inlet valves 13 to the main electric board 14. Connect also the electrical boards of the automatic filter shaking and the electric division box 12 V remote control wire (optional). The schemes of the electric distribution of the boxes can be find into its electric box. For the models DS BC 100i and CD 125i its electric panels are integrated in the machine.
5. connect the mains cable 15 to a control panel 16 with 380-400 Volt tension.



Electronic control sequential starting device

The models equipped with an electronic control sequential starting device are predisposed in the production stage. If there would be any troubleshooting please contact the technical office *Disan*.



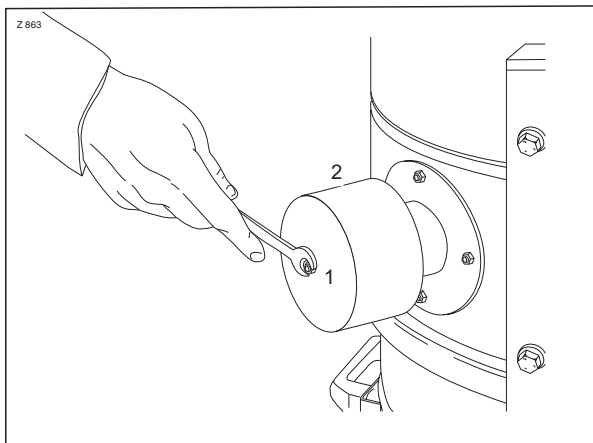
Check of the functioning of the by-pass valve on the dust separator

Every dust separator is equipped with a by-pass valve for the vacuum of air which acts when in the piping there is too much suction power.

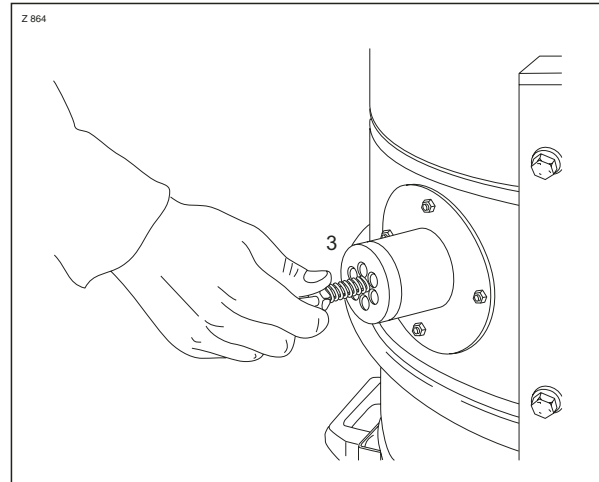
- On the systems with 2,2 kW motors the by-pass valve on the dust separator should be always closed.
- The by-pass valve is used only on the systems with 5,5 kW motors, when on a motor just one operator is working. The excess of vacuum power is compensated by the by-pass valve. Check that the valve is open and adjust eventually the bolt for a maximal efficiency.

Steps for the adjustment of the by-pass valve

1. with a wrench unscrew the bolt of the cover 1 and remove the metal cover and remove the soundproof cover 2.



2. start the system by inserting the 2 flexible hoses into the inlet valves and vacuum by both of them.
3. adjust with a wrench the by-pass valve 3, by opening it until when an air infiltration could be heard



4. remove one flexible hose from the inlet valve and check that the inlet valve starts working again
5. close the valve to the closing
6. reassemble the soundproof cover

By-pass valves adjustment

In the case that in the piping some by-pass valves will be installed for the self-cleaning of the lines, close the valve on the dust separator and adjust such valves as described in the paragraph "Check of the functioning of the by-pass valve on the dust separator".

Steps for the adjustment

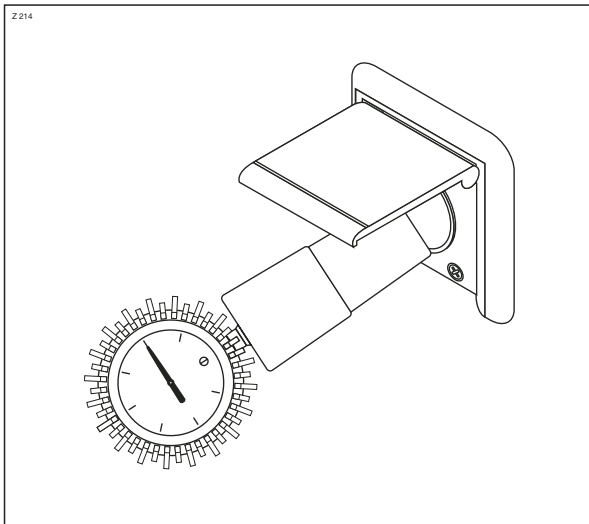
1. After having removed the soundproof cover of the valve, start the system by inserting 2 flexible hoses into the inlet valves.
2. Adjust the valve as described in the paragraph: "Check of the functioning of the by-pass valve on the dust separator".

Central vacuum systems

Testing of the inlet valves

Testing the inlet valves

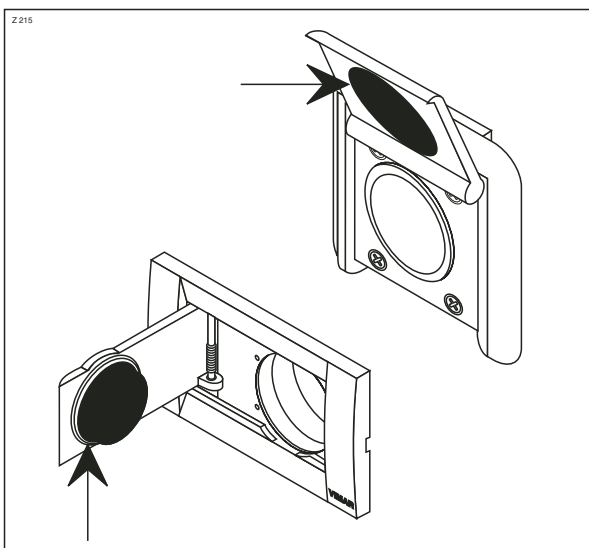
- Start the central vacuum cleaner up by inserting the vacuum gauge into whatever inlet valve of the system.



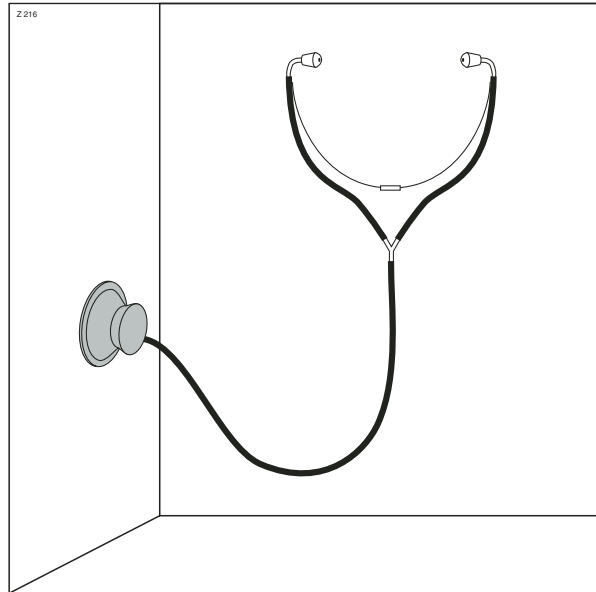
- Listen if there are any whistles due to losses of the inlet valves.

Whistles are due to:

1. an excessive screwing of the inlet valve into the backup boxes (see paragraph "Mounting and connection of the inlet valves")
2. a damaged or incorrect mounting of the gasket. Check if it is positioned correctly.



In case you notice whistles which aren't caused by the inlet valves, locate the origin of those whistles by placing the stethoscope on the wall or on the floor along the tubing.



After repairing, measure the depression again.

Final testing of the system

In this phase the installer tests the finished system.

Start the vacuum cleaner up by inserting the vacuum gauge into whatever inlet valve and measure the depression.

Please notice: if you use inlet valves with pin-jacks, the system can be started up creating a bridge with the two 12 V electric cables coming out of the central unit.

Wait a few seconds so that the system creates the depression necessary for the measurement. When the pointer has come to a standstill, read the exact value of depression.

Then check that the depression measured at the inlet valve corresponds with that measured at the inlet of the central vacuum cleaner.

These measures must correspond. Small differences in the value indicated in the "Technical data" sheet can derive from the voltage of the electric system and could be considered in the normal tolerance range. If the two values do not correspond, there is an air-infiltration in the tubing. Locate the origin of the loss by putting the stethoscope on the wall or on the floor along the tubing. An infiltration is present where you locate a whistle.

Delivery of the finished system to the customer

Practical testing of the functioning of the system

It is preferable that the customer himself cleans in order to check whether the suction system works perfectly.

Certification

The installing company

confirms the **TESTING** of the tubing in compliance with
Disan's instructions.

Furthermore, it has been ascertained that:

1. no whistles are emitted by the tubing due to air-infiltrations
2. the depression measured at one inlet valve of the vacuum cleaning system corresponds with that measured at the testing vacuum cleaner.

Therefore any future damage is exclusively due to the
intervention of a third party.

The installing company

Date _____

Attachment: tubing distribution plan

Disan S.r.l
via di Mezzo ai Piani 13A
I - 39100 Bolzano
Tel. 0471/971000
Fax 0471/978888
e-mail: info@disan.com
internet: www.disan.com

